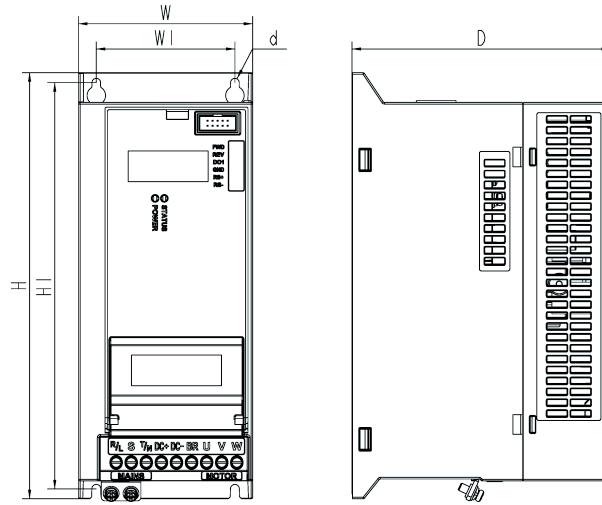


变频器外形尺寸图

External Dimensions of Inverter



D2-D4 Power unit size

Frame	Rated Power	Dimensions (mm)					
		W	H	D	W1	H1	d
	3 × 380-480V						
D2	4.0 kW	88	215	155	70	205	4.5
D3	5.5-7.5 kW	100	250	161	80	240	4.5
D4	11-22 kW	170	370	179	145	355	6.5