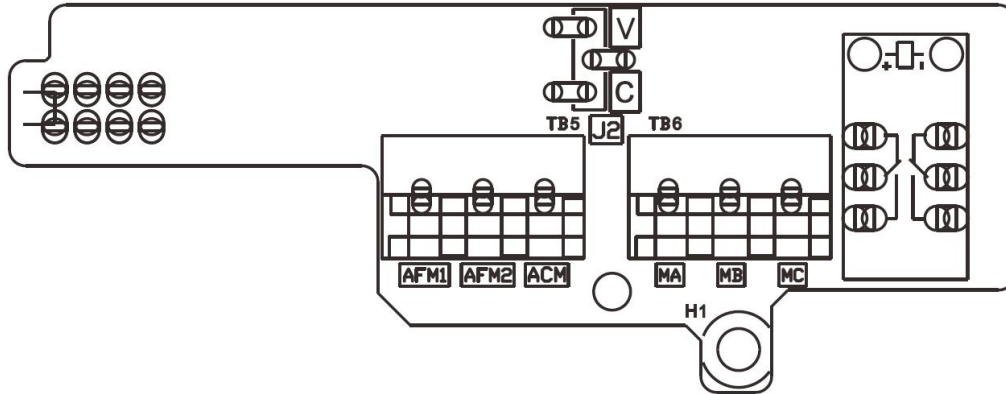
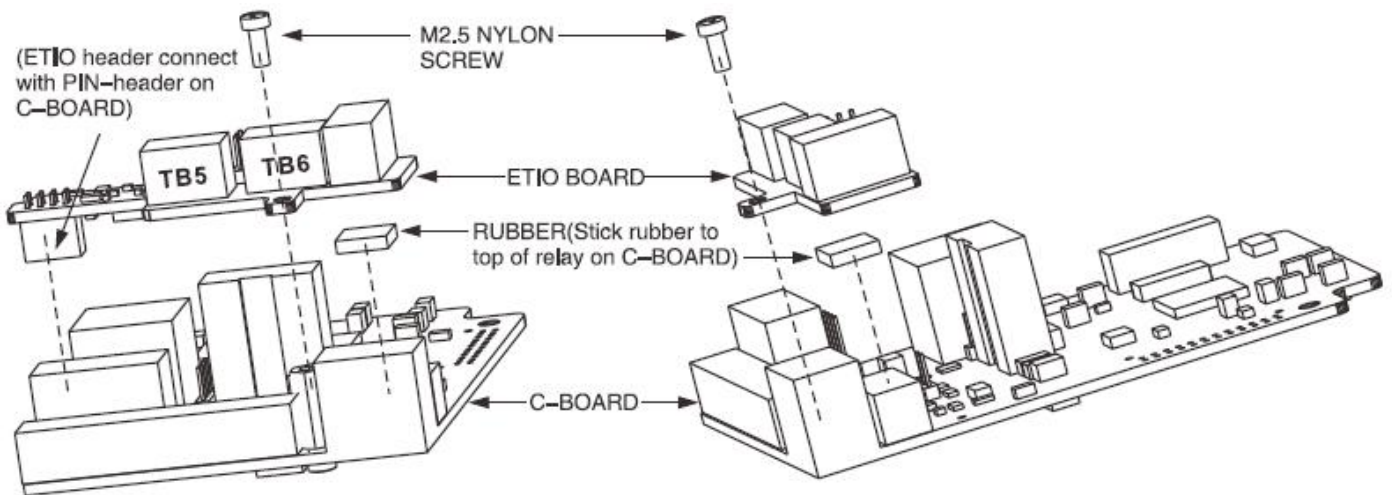


(ETIO-A) Analog Output, Relay Output Expansion Optional Card Instruction Manual

1. Extended Optional Card: Schematic Diagram of Board Shape and Terminal Position



2. Expansion Option Card: Installation Diagram



3. Description of Terminal Function

Terminal NO.	Terminal name	Function	Parameter
TB1	AFM1-ACM analog output 1	1. Output current specification: 0~20mA 2. AFM1 and AFM on the control board are the same signal source	06-07
	AFM2-ACM analog output 2 (Select voltage or current output by jumper J2)	1. Output voltage specification: DC0~+10V 2. Output current specification: 0~20mA	06-08
TB2	MA-MB-MC Relay contact output	1. Normally open MA-MC, normally closed MB-MC 2. Contact: AC125V, 0.5A DC30V, 3A	06-02

NOTE: AFM output 4~20mA: 06-10=06-12=20.0(%), 06-11=06-13=0.80

Qualification

Received ISO9001 and CE recognition

All rights reserved. Subject to change without further notice.