

S600 Series inverter

Open-loop Vector Mini Type (IM)

User Manual



Contents

Preface	1
1. Safety Instructions	1
2. Operational Environment	2
3. Model Description	3
4. Inverter Specifications	4
4.1 Standard Specifications	4
4.2 General Specification	5
5. Basic Wiring Diagram	8
6. External Dimensions	10
6.1 External Dimensions of Inverter	10
6.2 Remote Operation Keypad	11
7. Keyboard Description	13
8. Functional Parameters List	16
9. Description of Functional Parameters	40
00 Basic Functions Parameters	40
01 Motor Control Parameters	49
02 Vector Control Parameters	50
03 V/f Control Parameters	52
04 Input Terminal Parameters	56
05 Multi-Speed, Simple PLC Control	65
06 Output Terminal Parameters	69
07 Start and Stop Control Parameters	72
08 Man-machine Interface Parameters	75
09 Accessibility Parameters	78
10 PID Control Parameters	87
11 Fault and Protection Parameters	92
12 Serial Communication Parameters	97
13 Counting Parameters	104
22 Control Optimization Parameters	105
99 Monitoring Parameters	105
10. Failures & Failure Elimination	107
11. Braking Resistor Selection List	110



Preface

Thank you for choosing SAVCH S600 series inverter! This instruction manual, which includes operation descriptions and notes for maintenance, shall be delivered to the end-user.

For safety running and effective operation, this instruction manual shall be read thoroughly prior to use, which shall also be preserved for later use. Provided problems occur and solution is not provided in this instruction manual, contact your SAVCH ELECTRIC representative or contact with our company directly. Our professional technicians will serve for you actively. And please continue to adopt products of SAVCH, give valuable opinion and advice.

1. Safety Instructions

Symbols of "DANGER" and "CAUTION" in the manual indicates that, for safety running or maintenance of inverters or other electrical products, attention shall be attached during delivering, installation, operation and checks for the inverter. And these notes shall be applied for a better and safer operation.

 DANGER	If not used correctly, personnel damage even death may be caused.
 CAUTION	If not used correctly, serious damage to inverter or machine may be resulted.

DANGER

- Never connect wires while power on. Do not check components or signal for circuit board during operation.
- Do not dismantle or change inner wire, circuit or components unnecessarily.
- Make sure grounding terminals are correctly grounded. 220V level: Grounding III, 440V special grounding.
- Main circuit terminals must be correct, R/L1, S/L2 and T/L3 is input terminals and it's forbidden to use mixing with U/T1, V/T2 and W/T3. Failure to observe this may cause the inverter damaged.
- Never put in or take off the motor during operation, otherwise over-current even over burning the main circuit of the inverter may happen.
- Please confirm that the power is turned off and wait for 10 minutes before disassembly or inspection.
- When handling the inverter, do not draw front cover directly but handle it by the heat sink to prevent the cover from falling off and to avoid the falling of the inverter and causing personal injury or damage to the inverter.
- Install the inverter on a base made of metal or other non-flammable material, Do not place flammable object nearby to prevent fires.

⚠ CAUTION

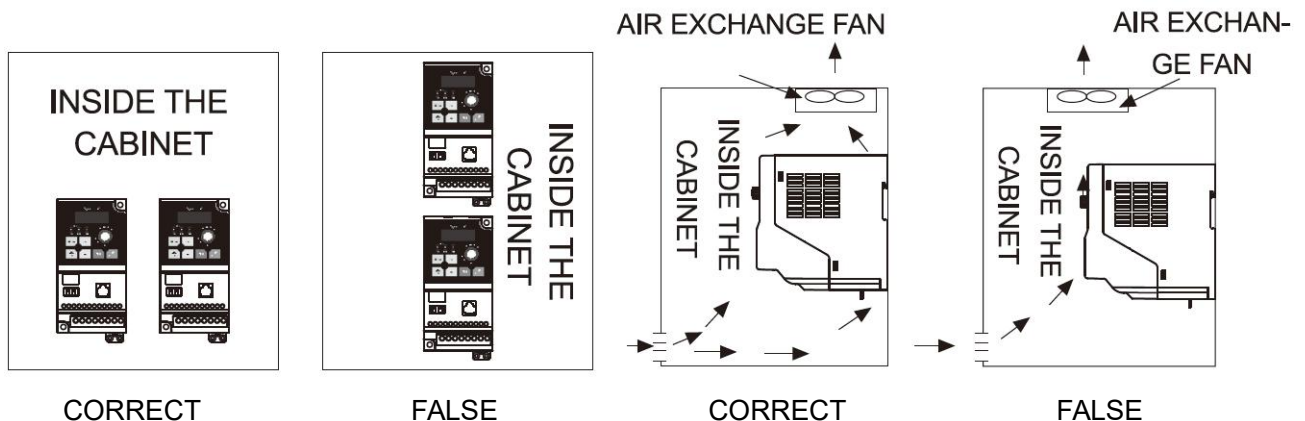
- Do not perform a withstand voltage test for components of inverter, it can cause semi-conductor components to be damaged by high voltage.
- IC of CMOS on control circuit of the inverter shall be damaged by electrostatic influence. Do not touch main circuit board.
- Specification of applying power supply shall correspond to input voltage of the inverter.
- If several inverters are installed in a electric cabinet, add extra cooling fan to keep the temperature lower than 40 °C to prevent over-heating or fire.
- Since it is easy to change running speed from low to a high speed, verify safe working range of motor and machine before running.
- Explosion may occur when burning the electrolytic capacitor of the main circuit and printing plate. Toxic gas may be generated when burning control panel and other plastic fittings. It shall be treated as Industrial waste.

2. Operational Environment

Since operation environment can directly influence functions and operation life, to ensure proper performance and long operation, follow the recommendations below when choosing allocation for installing the inverter:

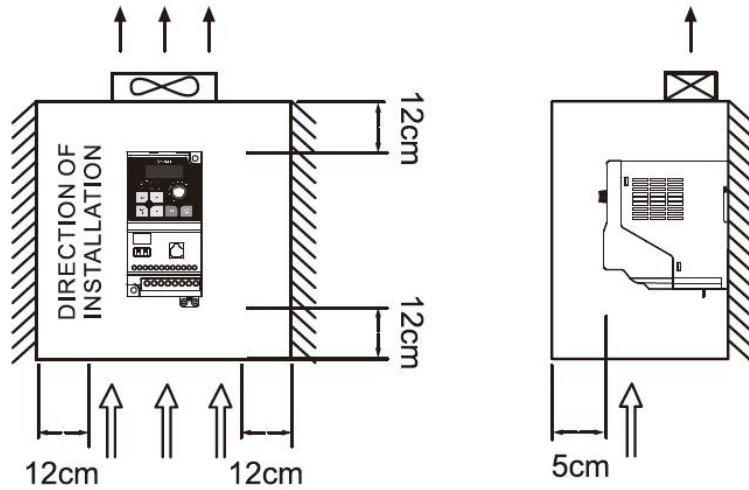
- Use only with the ambient temperature range:-10°C to + 40°C;
- Rain, moisture
- Corrosion of oil sprays or salt
- Dust or batting and metallic particles in the air
- Electromagnetic interference (Avoid using together with welding machine or dynamic machines.)
- Vibration. (If inverter must be used in this environment, an anti vibration pad is necessary).
- Direct sunlight.(Avoid using outdoors)
- Corrosive fluid and methane
- Radioactive materials and inflammable materials

Attention shall be attached to clearance of inverters allocated closely. A fan shall be installed to make sure temperature is lower than 40°C



For cooling off, face shall be toward front and upper parts shall be upwards.

Clearance shall meet the following specifications:



VENTILATION


-10-+40°C

(a) FRONT

(b) SIDE

3. Model Description

- Type →
- Input power supply Spec →
- Output power supply Spec →
- Output frequency →



TYPE: S600-4T1.5G
SOURCE: AC 3PH 380~460V 50/60Hz
OUTPUT: 3PH 0~460V 2.9kVA 3.8A
FREQUENCY RANGE: 0~500Hz
 Designed by Savch Electric
 SAVCH ELECTRIC CO.,LTD.

S
|
SAVCH

600
|
Product series

- **4T**
|
Input power source:
2T:3ph 220V
(Note: 2T2.2G or
below with
compatibility of
single phase)
4T:3ph 440V

1.5G
|
0.4: 0.4kW
0.75: 0.75kW
1.5: 1.5kW
2.2: 2.2kW
4.0: 4.0kW
5.5: 5.5kW

4. Inverter Specifications

4.1 Standard Specifications



220V single phase/Three phase Series

Item		Specification					
S600-2T□□□G		0.4	0.75	1.5	2.2	4.0	
Output	Max.motor output power(kW)	0.4	0.75	1.5	2.2	4.0	
	Max.motor output power(HP)	0.5	1	2	3	5.4	
	Output rated capacity(kVA)	1.1	1.5	2.7	3.7	6.5	
	Output rated current(A)	2.3	4.0	7.0	9.6	17.0	
	Output frequency range	0~500Hz					
	Overload capacity	150%-60sec					
	Max output voltage	Same to input voltage					
Input	Phase,voltage,Frequency	Single phase/three phase. 200~240V. 50/60Hz					
	Voltage frequency variations	Voltage:±15% frequency:±5%					
	Input current(A)	Single phase	5.4	8.2	14.2	23	×
		Three phase	3.1	5.0	7.7	11.1	22.2
Cooling method		Fan cooling					

Three phase 440V Series

Item		Specification				
S600-4T□□□G		0.75	1.5	2.2	4.0	5.5
Output	Max.motor output power(kW)	0.75	1.5	2.2	4.0	5.5
	Max.motor output power(HP)	1	2	3	5.4	7.4
	Output rated capacity(kVA)	1.9	2.9	3.9	6.9	9.9
	Output rated current(A)	2.5	3.8	5.1	9	13
	Output frequency range	0~500Hz				
	Overload capacity	150%-60sec				
	Max output voltage	Same to input voltage				
Input	Phase,voltage,Frequency	Three phase·380-460V ·50/60Hz				
	Voltage frequency variations	Voltage:±15% frequency:±5%				
	Input current(A)	3.4	5.0	5.8	10.5	15
Cooling method		Fan cooling				

4.2 General Specification

Item		Detailed information	
Control characteristic	Control mode	V/f control, open loop vector control	
	Range of output frequency	0~500.00Hz	
	Frequency setting resolution	0.01 Hz	
	Output Frequency setting resolution	0.01 Hz	
	PWM carrier frequency	Adjust from 0.5kHz to 12kHz	
	Torque boost	1Hz/150%	
	V/f curve	Three types:line, multi-point. Nth power V/f curve (1.2th power, 1.4 th power, 1.6 th power, 1.8 th power, 2th power)	
	V/f separation	Two types:full separation, semi-separation	
	Jump frequency	adjust from 0.1Hz to 500.00Hz	
	Acceleration/deceleration time	0.00 to 65000 seconds (4-stage acceleration/deceleration time is set independently), linear or S-curve acceleration/deceleration mode.	
	Over current stall prevention level	Can be set according to the motor load characteristics with 100~200% of the rated current of the driver	
	DC brake	When stopping, it can be operated from 0.00 to the maximum operating frequency, and the braking current is 0 to 100% of the rated current; Start time 0-100.0 seconds, stop time 0-100.0 seconds.	
	Brake torque	20% (external optional brake resistor can reach 125%)	
	Speed ratio	Open loop vector control:1:100	
Operation characteristic	Frequency setting signal	bit operation board	Set by  
		external terminal	0-10VDC, 4-20mADC, Serial communication(RS485)
	Operation signal	bit operation board	Available to be operated by RUN,STOP keys
		external terminal	2-wire / 3-wire operation, jog operation, serial communication (RS485)
Input terminal of multi-function	Forward and reverse running, three-wire operation control, Forward and reverse jog running, free stop, reset fault, running pause, external fault input, increment/decrement frequency terminal setting, 16-segment preset speed switching, acceleration/deceleration time switching, frequency source switching, running command switching, PID control, PLC status reset, prohibit acceleration and deceleration, length count, frequency increase and decrease setting clear, high speed pulse frequency, stop DC braking, clear running time of this time.		

Item		Detailed information
	Output terminal of multi-function	Inverter operation, fault output, frequency level detection FDT output, frequency arrival, zero speed operation, overload pre-alarm, count value arrival, length arrival, PLC cycle completion, cumulative running time arrival, frequency limitation, torque limit Ready to run, upper limit frequency arrival, lower limit frequency arrival (operation related), undervoltage status output, communication setting, cumulative power-on time arrival, frequency arrival output, timing arrival output, offload, reverse In operation, the zero current state, the module temperature reaches, the output current exceeds the limit, the lower limit frequency arrives (the stop is also output), the alarm output (continues to run), and the running time arrives.
	Analog signal output	Corresponding to the actual output frequency, output current, output voltage, etc.
	Fault signal contact	Contact "ON" (one "C" contact relay outputs when the AC drive fails)
	Inner function	Output frequency upper and lower limit setting, instantaneous power failure restart, abnormal fault restart, speed tracking Simple PLC, multi-speed operation, PID control, timing control Automatic regulated output regulation Abnormal record, parameter lock, parameter factory reset Reverse rotation prohibited, overcurrent stall prevention, overvoltage stall prevention, electronic thermal relay
	Protection function	Short circuit protection, acceleration over current, deceleration over current, constant speed over current, acceleration over voltage, deceleration over voltage, constant speed over voltage, bus undervoltage fault, motor overload, inverter overload, over torque protection, loss phase on the output, module overheating, external fault, communication fault, current detection fault, parameter read and write abnormality, inverter hardware abnormality, motor short circuit to ground, running time arrival, the power-on time arrives, the load dropped, the PID feedback disconnected, and the fast current limit timeout.
	Number of part on keypad	Contains 5-digit 8-segment LED display, 7 status indicator LED lights can set the frequency, display the actual output frequency, output current, user-defined unit Parameter browsing and modification settings and parameter locking, abnormal fault display Executable operation, stop, reset, forward/reverse, jogging
Environment	Operation temperature	-10°C to +40°C
	Temperature of stock	-20°C to +60°C
	Humidity of operation environment	Below 90%RH, No condensation
	Height of installation	No more than 1000m in height, no corrosive gas, liquid, dust
	Vibration	Below 20Hz 9.80665m/s ² (1G), 20~50Hz 5.88m/s ² (0.6G)
	Enclosure	IP20 (Depending on the end customer's installation environment)

List of Applicable No-Fuse Breaker for S600 Series

220V Series

Type	Rated Input Current (A)		Rated Output Current (A)	Motor Output (kW)	Rated Current of No-fuse Switch (A)
	Single phase	Three phase			
S600 -2T0.4G	5.4	3.1	2.3	0.4	10
S600 -2T0.75G	8.2	5.0	4.0	0.75	20
S600 -2T1.5G	14.2	7.7	7.0	1.5	30
S600 -2T2.2G	23	11.1	9.6	2.2	50
S600 -2T4.0G	×	22.2	17.0	4.0	50

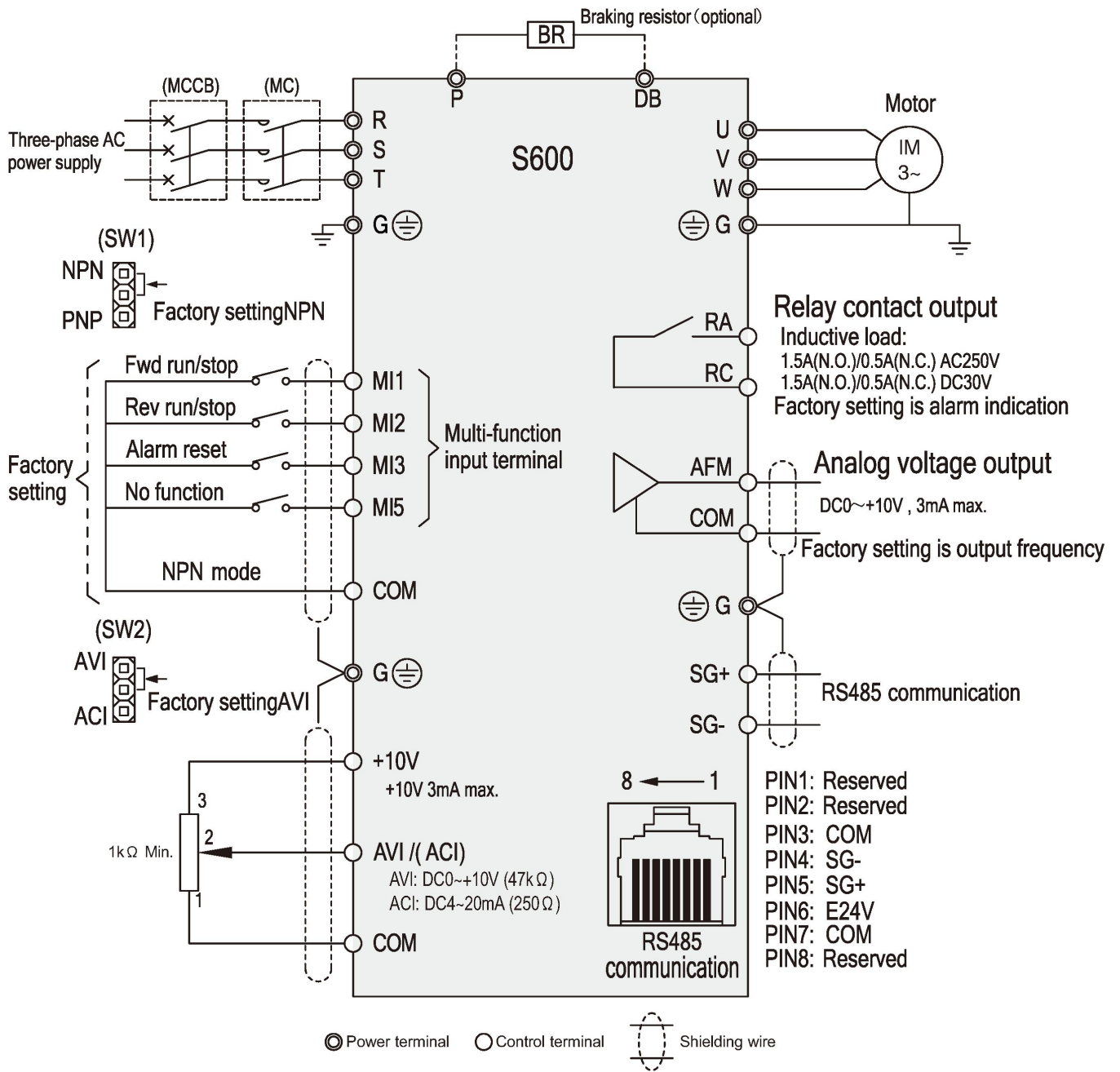
440V Series

Type	Rated Input Current (A)	Rated Output Current (A)	Motor Output (kW)	Rated Current of No-fuse Switch (A)
S600-4T0.75G	3.4	2.5	0.75	5
S600-4T1.5G	5.0	3.8	1.5	10
S600-4T2.2G	5.8	5.1	2.2	15
S600-4T4.0G	10.5	9	4.0	20
S600-4T5.5G	15	13	5.5	20

5. Basic Wiring Diagram

Wiring of AC motor drive can be divided into two parts, the main circuit and control circuit. Users must connect terminals as diagram shows.

The following diagram is the standard wiring diagram of S600 series AC motor driver.




Remarks:

1. Multi-function input terminals MI1~MI3 can switch NPN mode or PNP mode according to SW1, input terminal MI5 NPN mode only.
2. Analog frequency command AVI: It can switch 4~20mA or 0~+10V as input signal according to SW2.
3. When use remote panel, SG+/SG- RS485 serial communication function disabled.

Main Circuit Terminal Descriptions

Description for S600 Series inverter terminals

Terminal symbols	Function
R,S,T	Main circuit AC power supply input
U, V, W	connect to motor
P, DB	Braking resistor(optional) connecting terminal
G 	For grounding (High voltage wave impact and noise interference shall be avoided.)

Terminal Symbol Description

Terminal symbols	Function of Terminal	Specification
RA-RC	Multifunctional reference signal output contact	See description 06-01 for relay contact output
MI1-COM	Multifunctional input option 1	See description from 04-00 to 04-04
MI2-COM	Multifunctional input option 2	
MI3-COM	Multifunctional input option 3	
MI5-COM	Multifunctional input option 5	
+10V-COM	Power supply for speed setting	Speed reference power supply (+10V)
AVI-COM	Analog voltage frequency reference	0~+10V(4~20mA) /Max. output frequency
ACI-COM	Analog current frequency reference	4 to +20mA/Max. output frequency
AFM-COM	Analog frequency/ current meter	0 to +10V/Max. output frequency
SG+-SG-	Serial connected communication board	RS485 Serial connected communication connect

Note: Please insulate the control signal wire with insulation tape.

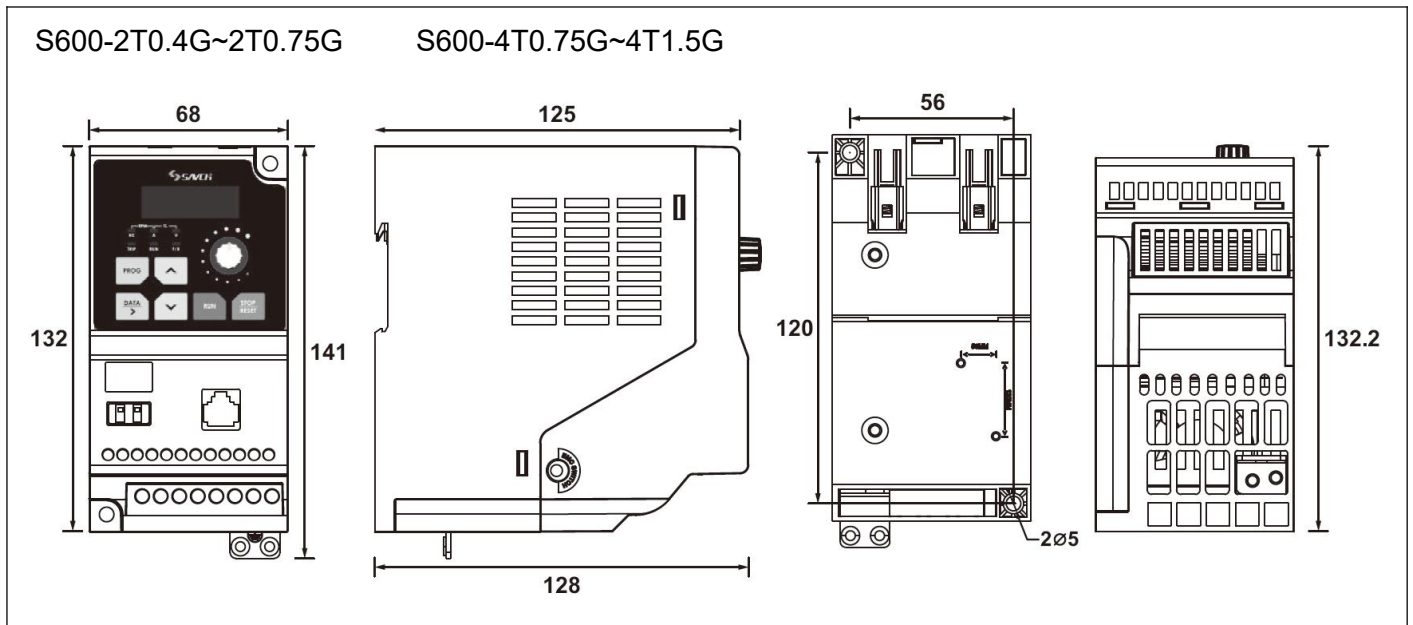
Only use double Null Modem from communication cable of RS485.

6. External Dimensions

6.1 External Dimensions of Inverter

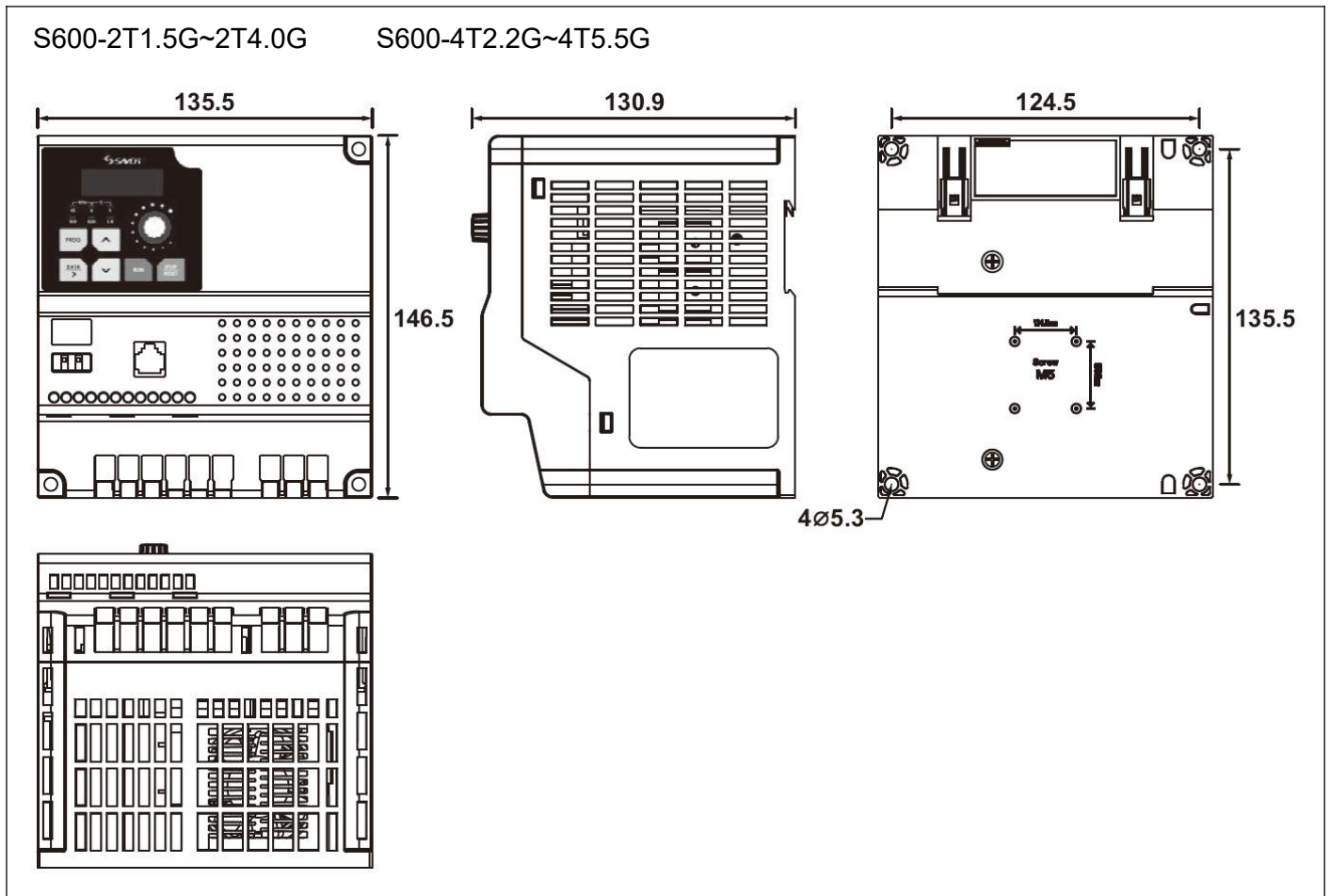
Size 1

Unit:mm



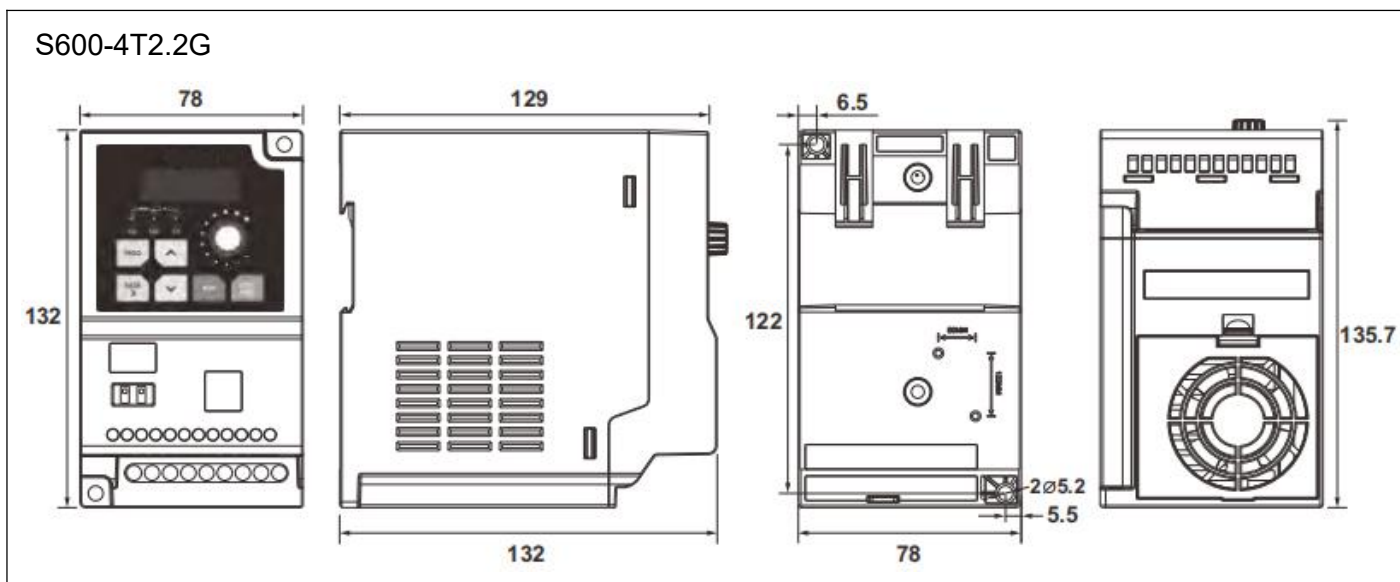
Size 2

Unit:mm



Size 3

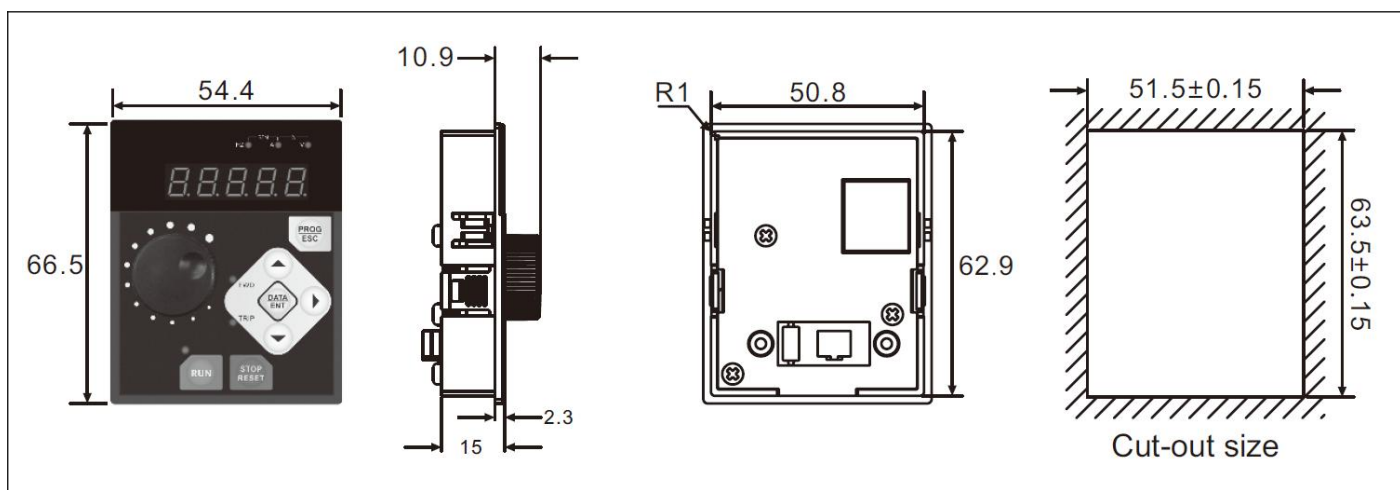
Unit:mm



6.2 Remote Operation Keypad

- Remote keypad (EL-OP-A2) external dimensions and installation dimensions

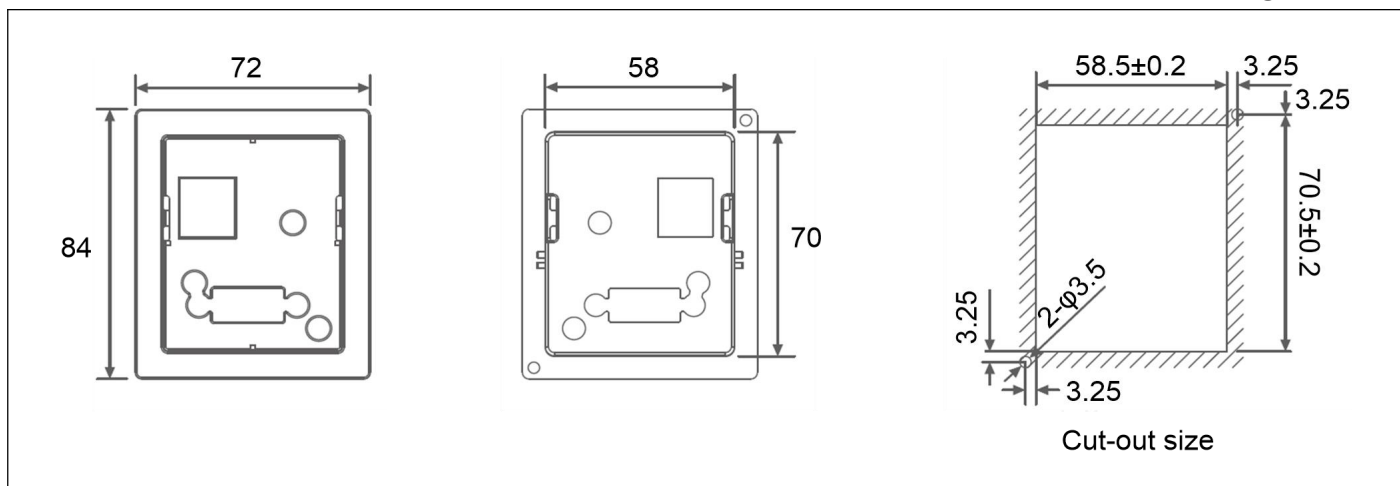
Unit:mm



Note: This keyboard can be extended with ordinary network cable (8 cores).

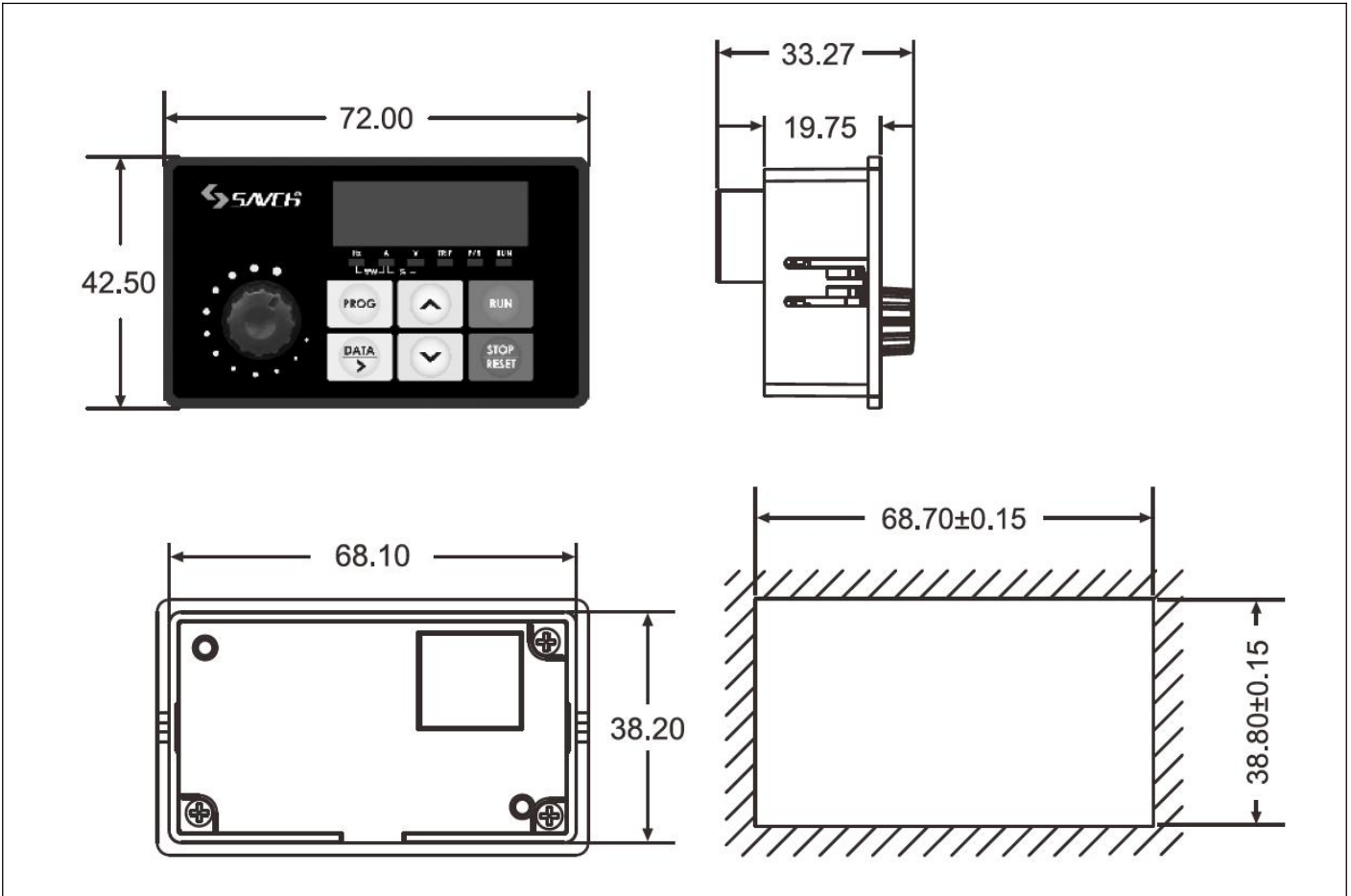
- Dimensions of epitaxial supporting box of extending keypad

Unit:mm



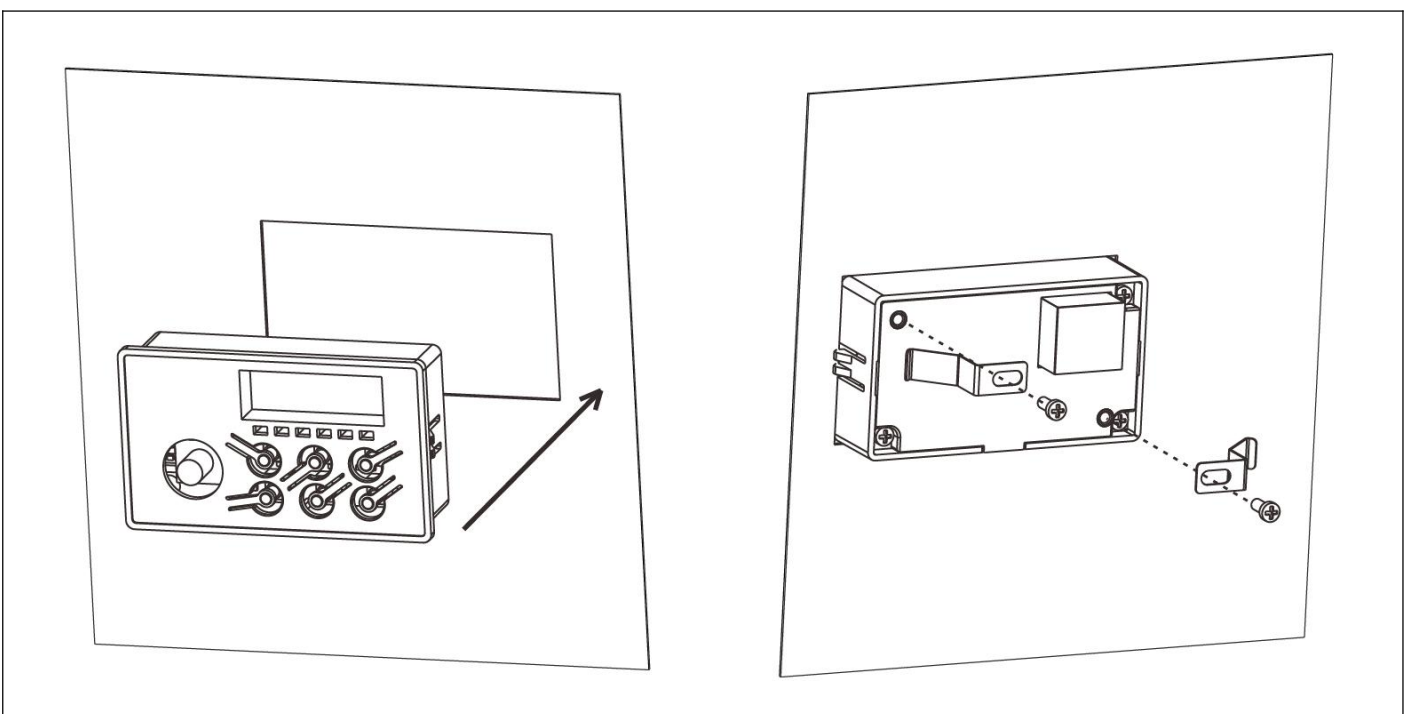
●Remote keypad (EL-OP-B2) external dimensions and installation dimensions

Unit:mm



Note:This keypad can be extended with ordinary network cable (8 cores).

●Keypad dimensions Installation

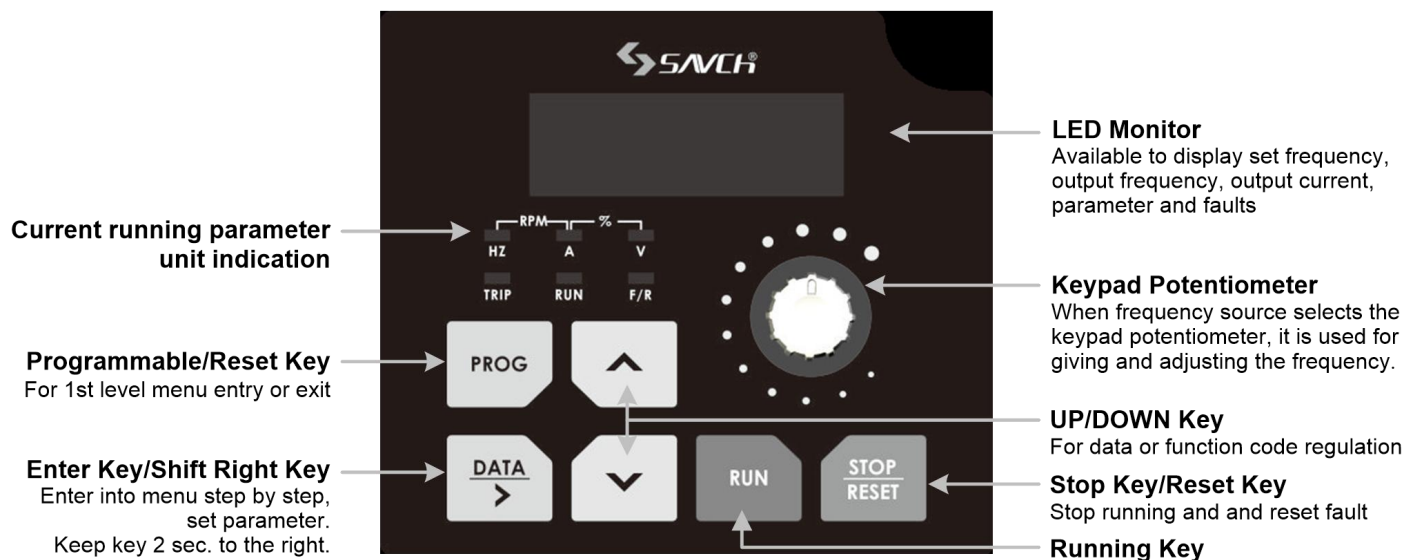


7. Keyboard Description

Keyboard Description for Digital Operator

Descriptions and functions of the keyboard

Locating on AC motor drive, the digital operator has two spaces: display space and operating space. Programmed mode and different operation states shall be displayed on the display space, while for the operating space, it is an interface for communication of the operators and AC motor drive.



Functions description of the keyboard

Display and Keyboard		Functions description
	Program key	Enter or quit the first menu
	Enter key/Shift right key	Enter into menu step by step, set parameter, keep key 2 sec. to the right. In the stop display interface and running display interface, long press the key to enter the frequency display, and short press the key to switch the monitoring items.
	UP key	Increase of data or function code
	DOWN key	Decrease of data or function code
	Running key	For start operation under operation keyboard mode
	Stop /Reset key	To stop motor in running mode by pressing this key, limited by function code 08-02; To reset fault in the state of fault alarm, free from function code 08-02.

Indicator Description

1)Description of function indicator:

Name of indicator	Description of indicator
RUN	Operation indicator ON-running OFF-stop FLICKER-parameter self-learning
F/R	Forward & Reverse run indicator: ON-reverse OFF-forward
TRIP	Fault indicator light: The slow flashing light indicates auto-tuning, The flashing light indicates a fault state.

2)Description of unit indicator:

Symbol	Symbol Description
Hz	Frequency
A	Current
V	Voltage
RPM	Rotating speed
%	Percentage

Description of Keyboard Operation

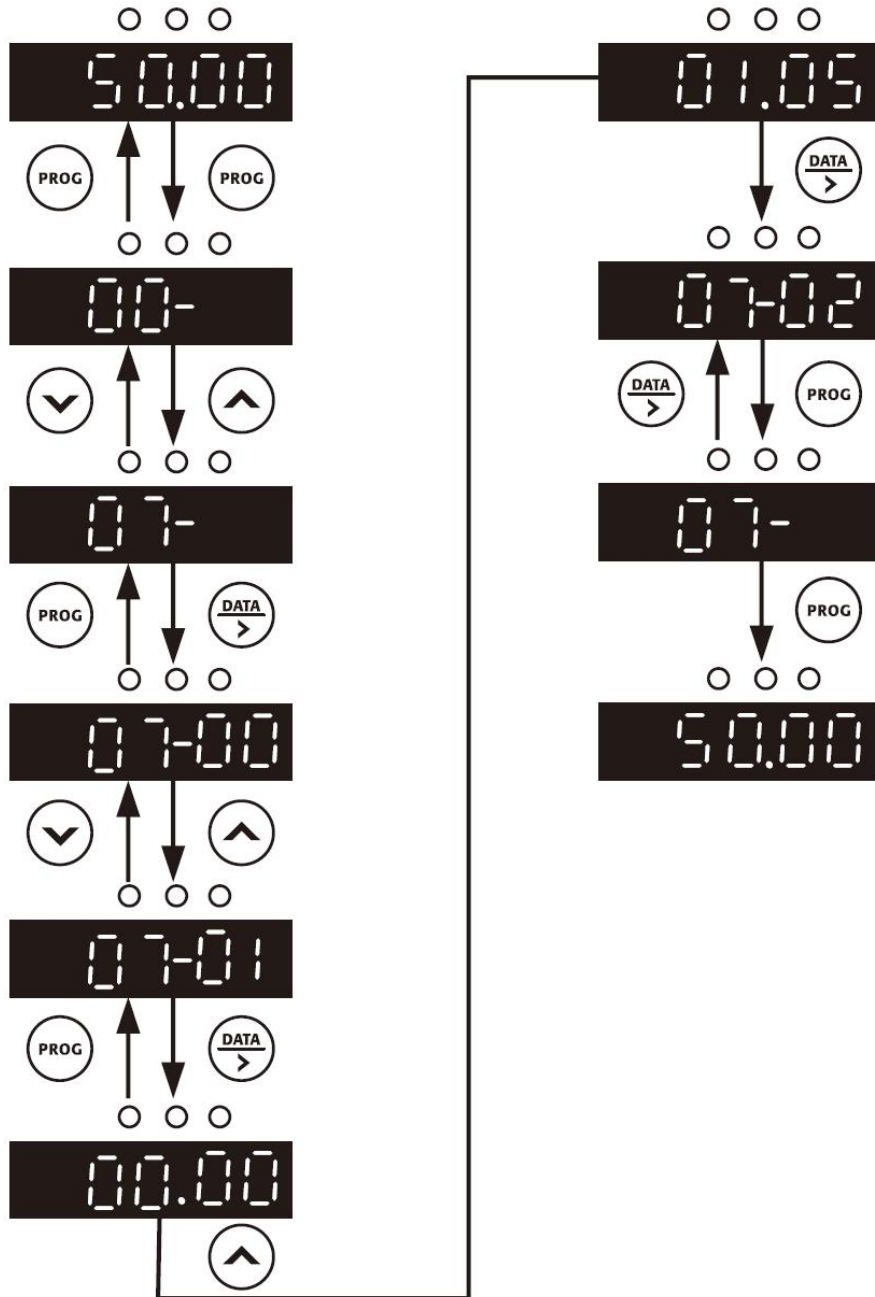
Parameter setting

Here are three levels of menu:

- 1.Function code number group (first)
- 2.Function code labeling (second)
- 3.Function code value setting(third)

Note: Press **PROG** or **DATA >** to back to second-level menu when in the third-level. The difference between them is: **DATA >** key stores the set parameter into control board before backing to second-level menu and shifts to the next function code automatically. While **PROG** key backs to the second-level menu directly without storing parameters and keeps the current function code.

For example, set the frequency of function code 07-01 from 00.00Hz to 01.05Hz.



In the state of third-level menu, the function code can't be modified if the indicator does not flicker, the reason of would be:

- 1)The parameter s of function code can not be modified, e.g. actual detection parameters, operation record parameters, etc.
- 2)The parameter s of function code can not be modified in running state, the code could be modified only when the motor stops.

8. Functional Parameters List

00 Basic functions parameters				
↗ indicates that the parameters can be set during operation.				
Parameter	Parameter function	Setting range	Factory setting	
00-00	Command source selection	0:Keyboard command 1:Terminal command 2:Communication command	0	↗
00-01	Keyboard and terminal UP / DOWN setting selection	0:Stop memory and power failure storage 1:Stop memory 2:Stop no memory	2	↗
00-02	Main Frequency source selection	0:Digital setting (keyboard given frequency 00-06, UP /DOWN can be modified) 1:AVI 2:Reserved 3:Reserved 4:Multi-speed command 5:PID control 6:Communication setting(Remote panel) 7:Simple PLC 8:Panel potentiometer 9:Pulse setting (MI5)	1	
00-03	Maximum frequency	50.00Hz~500.00Hz	50.00Hz	
00-04	Upper limitation of running frequency	Lower limit frequency 00-05 ~max frequency 00-03	50.00Hz	↗
00-05	Lower limitation of running frequency	0.00Hz ~ Upper limit frequency	0.00Hz	↗
00-06	Keyboard setting frequency	0.00Hz to the maximum frequency (00-03)	50.00Hz	↗
00-07	Acceleration time 1	0.00s~65000s	Type setting	↗
00-08	Deceleration time 1	0.00s~65000s	Type setting	↗
00-09	Operation direction	0: Forward 1: Reverse	0	↗
00-10	Carrier frequency	0.5kHz~12.0kHz	Type setting	↗
00-11	Parameter initialization	0:No operation 1:Restore factory parameters, excluding motor parameters 2:Clear record information 3:Copy parameters to remote panel 4:Copy parameters from remote panel to inverter	0	
00-12	Carrier frequency adjusts with temperature	0:no 1:yes	1	↗
00-14	Auxiliary frequency source Y selection	Same as 00-02 (Main frequency source X selection)	0	

00 Basic functions parameters

⚡ indicates that the parameters can be set during operation.

Parameter	Parameter function	Setting range	Factory setting	
00-15	Auxiliary frequency source Y range selection during superposition	0:Relative to the maximum frequency 1:Relative to frequency source X	0	⚡
00-16	Auxiliary frequency source Y range when superimposed	0%~150%	100%	⚡
00-17	Frequency source selection	Single digit:Frequency source selection 0:Main frequency source X 1:Main and auxiliary calculation results (Operation relationship is determined by ten digits) 2:Switch between the main frequency source X and the auxiliary frequency source Y 3:Switch between the main frequency source X and the main and auxiliary calculation results 4:Switch between auxiliary frequency source Y and main and auxiliary calculation results Tens digit:the relationship between the main and auxiliary operations of the frequency source 0:Main+auxiliary 1:Main-auxiliary 2:Maximum of both 3:Minimum of both	0	⚡
00-19	Auxiliary frequency source offset frequency when superimposed	0.00Hz to the maximum frequency (00-03)	0.00Hz	⚡
00-20	Upper frequency source	0:00-04 setting 1:AVI 2:reserved 3:reserved 4:PULSE pulse setting 5:Communication given	0	
00-21	Upper frequency offset	0.00Hz~Max frequency 00-03	0.00Hz	⚡
00-22	Acceleration / deceleration time unit	0:1s 1:0.1s 2:0.01s	1	
00-23	Base frequency of acceleration and deceleration time	0:Maximum frequency (00-03) 1:set frequency 2:100Hz	0	
00-24	Base frequency for UP/DOWN command during running	0:Running frequency 1:Set frequency	1	

01 Motor control parameters

↗ indicates that the parameters can be set during operation.

Parameter	Parameter function	Setting range	Factory setting	
01-00	The first motor control mode	0:Speed sensorless vector control (SVC) 2:V/f control	2	
01-02	Motor rated power	0.1kW~1000.0kW	Type setting	
01-03	Motor rated frequency	0.01Hz~max frequency	Type setting	
01-04	Motor rated rotation speed	1rpm~65535rpm	Type setting	
01-05	Motor rated voltage	1V~2000V	Type setting	
01-06	Motor rated current	0.01A~655.35A	Type setting	
01-07	Stator resistance of asynchronous motor	0.001Ω~65.535Ω	Type setting	
01-08	Rotor resistance of asynchronous motor	0.001Ω~65.535Ω	Type setting	
01-09	Leakage inductance of asynchronous motor	0.01mH~655.35mH	Type setting	
01-10	Mutual inductance of asynchronous motor	0.1mH~6553.5mH	Type setting	
01-11	No-load current of asynchronous motor	0.01A~01-06	Type setting	
01-12	Motor type selection	0:Standard motor(self cooled by fan) 1:Speacial motor(forced external cooling)	0	

02 Vector control parameters

↗ indicates that the parameters can be set during operation.

Parameter	Parameter function	Setting range	Factory setting	
02-00	Speed loop proportional gain 1	1~100	15	↗
02-01	Speed loop integration time 1	0.01s~10.00s	0.50s	↗
02-02	Switching frequency 1	0.00~02-05	5.00Hz	↗
02-03	Speed loop proportional gain 2	1~100	10	↗
02-04	Speed loop integration time 2	0.01s~10.00s	1.00s	↗
02-05	Switching frequency 2	02-02~max frequency	10.00Hz	↗
02-06	Vector control slip gain	50%~200%	100%	↗
02-07	Digital setting of torque upper limit in speed control mode	0.0%~200.0%	150.0%	↗
02-08	Speed loop filter time constant	0.000s~0.100s	0.015s	↗
02-09	Vector control over excitation gain	0~200	64	↗
02-10	Torque upper limit source in speed control mode	0:Parameter 02-07 setting 1:AVI 2:reserved	0	↗

02 Vector control parameters

⚡ indicates that the parameters can be set during operation.

Parameter	Parameter function	Setting range	Factory setting	
02-10	Torque upper limit source in speed control mode	3:reserved 4:PULSE pulse setting 5:Communication setting 6:reserved 7:reserved The full scale of the 1-7 option corresponds to 02-07	0	⚡
02-13	Excitation adjustment proportional gain	0~60000	2000	⚡
02-14	Excitation adjustment integral gain	0~60000	1300	⚡
02-15	Torque adjustment proportional gain	0~60000	2000	⚡
02-16	Torque adjustment integral gain	0~60000	1300	⚡
02-17	Velocity loop integral properties	Single unit: integral separation 0: invalid 1: valid	0	⚡

03 V/f control parameters

⚡ indicates that the parameters can be set during operation.

Parameter	Parameter function	Setting range	Factory setting	
03-00	V/f curve setting	0: Straight line V/f 1: Multi-point V/f 2: Square 2.0 10: V/f complete separation mode 11: V/f half separation mode	0	
03-01	Torque boost	0.0%:(auto-torque boost) 0.1%~30.0%	Type setting	⚡
03-02	Cut-off frequency of torque boost	0.00Hz~max frequency	50.00Hz	
03-03	Multi-point V/f frequency 1	0.00Hz~03-05	0.00Hz	
03-04	Multi-point V/f voltage 1	0.0%~100.0%	0.0%	
03-05	Multi-point V/f frequency 2	03-03~03-07	0.00Hz	
03-06	Multi-point V/f voltage 2	0.0%~100.0%	0.0%	
03-07	Multi-point V/f frequency 3	03-05~motor rated frequency (01-03)	0.00Hz	
03-08	Multi-point V/f voltage 3	0.0%~100.0%	0.0%	
03-09	V/f slip compensation gain	0.0%~200.0%	0.0%	⚡
03-10	V/f overexcitation gain	0~200	64	⚡
03-11	V/f oscillation suppression gain	0~100	Type setting	⚡

03 V/f control parameters

⚡ indicates that the parameters can be set during operation.

Parameter	Parameter function	Setting range	Factory setting	
03-13	V/f separated voltage source	0:Digital setting (03-14) 1:AVI 2:Reserved 3:Reserved 4:Pulse setting (MI5) 5:Multi-speed command 6:Simple PLC 7:PID 8:Communication setting Note:100.0% corresponds to the rated voltage of the motor.	0	⚡
03-14	Voltage digital setting of V/f detached	0V~motor rated voltage	0V	⚡
03-15	V/f separated voltage rise time	0.0s~1000.0s Note:It means the time from 0V to the rated voltage of the motor.	0.0s	⚡
03-16	Voltage deceleration time for V/f separation	0.0s~1000.0s Note: indicates the time from 0V to the rated voltage of the motor	0.0s	⚡
03-17	V/f separation stop mode selection	0: Frequency/voltage is reduced to 0 1: The frequency is reduced after the voltage is reduced to 0	0	
03-18	Over current stall action current	50~200%	160%	
03-19	Overflow rate enable	0: invalid 1: valid	1	
03-20	Over-current stall suppression gain	0~100	20	⚡
03-21	Double-speed over-current stall action current compensation coefficient	50~200%	50%	
03-22	Overvoltage stall action voltage	200.0V~800.0V	220V: 370.0 380V: 760.0	
03-23	Overvoltage stall enable	0: invalid 1: valid	1	
03-24	Overvoltage stall suppression frequency gain	0~100	30	⚡
03-25	Overvoltage stall suppression voltage gain	0~100	30	⚡
03-26	Overvoltage stall maximum rise frequency limit	0~50Hz	5Hz	

04 Input terminal parameters

✎ indicates that the parameters can be set during operation.

Parameter	Parameter function	Setting range	Factory setting	
04-00	MI1 Terminal function selection	0:No function	1	
04-01	MI2 Terminal function selection	1:Forward running (FWD) 2:Reverse running (REV)	2	
04-02	MI3 Terminal function selection	3:Three-wire control	9	
04-04	MI5 Terminal function selection (high-speed pulse build-in)	4:Forward Jog (FJOG) 5:Reverse jog (RJOG) 6:Terminal UP 7:Terminal DOWN 8:Coast to stop 9:Fault reset (RESET) 10:Run pause 11:Normally open input for external fault 12:Multi-step speed command terminal 1 13:Multi-step speed command terminal 2 14:Multi-step speed command terminal 3 15:Multi-step speed command terminal 4 16:Acceleration / deceleration time selection terminal 1 17:Acceleration / deceleration time selection terminal 2 18:Frequency source switching 19:UP / DOWN set to cleared (Terminal, keyboard) 20:Run command switching terminal 21:Acceleration / deceleration prohibited 22:PID pause 23:PLC status reset 24:reserved 25:Counter input 26:Counter reset 27:Length count input 28:Length reset 29:reserved 30:PULSE (pulse) frequency input (MI5) 31:reserved 32:Immediate DC braking 33:Normally closed input for external fault 34:reserved 35:PID action direction is reversed 36:External stop terminal 1 37:Control command switching terminal 2 38:PID integration pause 39:Frequency source X and keyboard set frequency switching 40:Frequency source Y and keyboard set frequency switching 41:Reserved 42:Reserved 43:PID parameter switching 44:Reserved	0	

04 Input terminal parameters

↗ indicates that the parameters can be set during operation.

Parameter	Parameter function	Setting range	Factory setting	
		45:reserved 46:reserved 47:Emergency stop 48:External stop terminal 2 49:Deceleration DC braking 50:Clear the current running time 51-63:reserved		
04-08	MI Filter time	0.000s~1.000s	0.010s	↗
04-09	Terminal command mode	0:Two-wire 1 1:Two-wire 2 2:Three-wire 1 3:Three-wire 2	0	
04-10	Terminal UP / DOWN change rate	0.001Hz/s~65.535Hz/s	1.00Hz/s	↗
04-11	AVI curve 1 lower limit	0.00V~04-13	0.10V	↗
04-12	Corresponding setting of AVI curve 1 lower limit	-100.0%~+100.0%	0.0%	↗
04-13	AVI curve 1 upper limit	04-11~+10.00V	10.00V	↗
04-14	Corresponding setting of AVI curve 1 upper limit	-100.0%~+100.0%	100.0%	↗
04-15	AVI filter time	0.00s~10.00s	0.10s	↗
04-16	AVI curve 2 lower limit	0.00V~04-18	1.00V	↗
04-17	Corresponding setting of AVI curve 2 lower limit	-100.0%~+100.0%	0.0%	↗
04-18	AVI curve 2 upper limit	04-16~+10.00V	5.00V	↗
04-19	Corresponding setting of AVI curve 2 upper limit	-100.0%~+100.0%	100.0%	↗
04-28	Pulse minimum input	0.00kHz~04-30	0.00kHz	↗
04-29	Corresponding setting of pulse minimum input	-100.0%~100.0%	0.0%	↗
04-30	Pulse maximum input	04-28~100.00kHz	50.00kHz	↗
04-31	Corresponding setting of pulse maximum input	-100.0%~100.0%	100.0%	↗
04-32	PULSE filter time	0.00s~10.00s	0.10s	↗
04-33	AVI curve selection	Single digit:AVI curve selection 1:AVI curve 1 (2 points, see 04-11~04-14) 2:AVI curve 2 (2 points, see 04-16~04-19) 3:Reserved 4:Reserved 5:Reserved Tenth digit:Reserved Hundreds digit:Reserved	H.321	↗

04 Input terminal parameters

↗ indicates that the parameters can be set during operation.

Parameter	Parameter function	Setting range	Factory setting	
04-34	AVI is less than the minimum input setting selection	Single digit:AVI is below the minimum input setting selection 0:Corresponds to the minimum input setting 1:0.0% Tens digit:Reserved	H.000	↗
04-35	MI1 delay time	0.0s~3600.0s	0.0s	↗
04-36	MI2 delay time	0.0s~3600.0s	0.0s	↗
04-37	MI3 delay time	0.0s~3600.0s	0.0s	↗
04-38	MI terminal valid mode selection 1	0:High level valid 1:Low level valid Single digit:MI1 Tens digit:MI2 Hundreds digit :MI3 Thousands digit:Reserved Tens of thousands digit :MI5	0	↗

05 Multi-speed, simple PLC control

↗ indicates that the parameters can be set during operation.

Parameter	Parameter function	Setting range	Factory setting	
05-00	Multi-speed command 0	-100.0%~100.0%	0.0%	↗
05-01	Multi-speed command 1	-100.0%~100.0%	0.0%	↗
05-02	Multi-speed command 2	-100.0%~100.0%	0.0%	↗
05-03	Multi-speed command 3	-100.0%~100.0%	0.0%	↗
05-04	Multi-speed command 4	-100.0%~100.0%	0.0%	↗
05-05	Multi-speed command 5	-100.0%~100.0%	0.0%	↗
05-06	Multi-speed command 6	-100.0%~100.0%	0.0%	↗
05-07	Multi-speed command 7	-100.0%~100.0%	0.0%	↗
05-08	Multi-speed command 8	-100.0%~100.0%	0.0%	↗
05-09	Multi-speed command 9	-100.0%~100.0%	0.0%	↗
05-10	Multi-speed command 10	-100.0%~100.0%	0.0%	↗
05-11	Multi-speed command 11	-100.0%~100.0%	0.0%	↗
05-12	Multi-speed command 12	-100.0%~100.0%	0.0%	↗
05-13	Multi-speed command 13	-100.0%~100.0%	0.0%	↗
05-14	Multi-speed command 14	-100.0%~100.0%	0.0%	↗
05-15	Multi-speed command 15	-100.0%~100.0%	0.0%	↗

05 Multi-speed, simple PLC control

↗ indicates that the parameters can be set during operation.

Parameter	Parameter function	Setting range	Factory setting	
05-16	Simple PLC operation mode	0:Stop at the end of a single run 1:Keep the final value at the end of a single run 2:keep circulating	0	↗
05-17	Simple PLC power-down memory selection	Single digit:Power failure memory selection 0:Power failure no memory 1:Power failure memory Tenth digit:Stop memory selection 0:Stop no memory 1:Stop memory	0	↗
05-18	Simple PLC stage 0 running time	0.0s(h)~6500.0s(h)	0.0s(h)	↗
05-19	Simple PLC step 0 acceleration / deceleration time selection	0~3	0	↗
05-20	Simple PLC stage 1 st running time	0.0s(h)~6500.0s(h)	0.0s(h)	↗
05-21	Simple PLC step 1st acceleration / deceleration time selection	0~3	0	↗
05-22	Simple PLC stage 2nd running time	0.0s(h)~6500.0s(h)	0.0s(h)	↗
05-23	Simple PLC step 2nd acceleration / deceleration time selection	0~3	0	↗
05-24	Simple PLC stage 3rd running time	0.0s(h)~6500.0s(h)	0.0s(h)	↗
05-25	Simple PLC step 3rd acceleration / deceleration time selection	0~3	0	↗
05-26	Simple PLC stage 4th running time	0.0s(h)~6500.0s(h)	0.0s(h)	↗
05-27	Simple PLC step 4th acceleration / deceleration time selection	0~3	0	↗
05-28	Simple PLC stage 5th running time	0.0s(h)~6500.0s(h)	0.0s(h)	↗
05-29	Simple PLC step 5th acceleration / deceleration time selection	0~3	0	↗
05-30	Simple PLC stage 6th running time	0.0s(h)~6500.0s(h)	0.0s(h)	↗
05-31	Simple PLC step 6th acceleration / deceleration time selection	0~3	0	↗
05-32	Simple PLC stage 7th running time	0.0s(h)~6500.0s(h)	0.0s(h)	↗
05-33	Simple PLC step 7th acceleration / deceleration time selection	0~3	0	↗
05-34	Simple PLC stage 8th running time	0.0s(h)~6500.0s(h)	0.0s(h)	↗
05-35	Simple PLC step 8th acceleration / deceleration time selection	0~3	0	↗

05 Multi-speed, simple PLC control

↗ indicates that the parameters can be set during operation.

Parameter	Parameter function	Setting range	Factory setting	
05-36	Simple PLC stage 9th running time	0.0s(h)~6500.0s(h)	0.0s(h)	↗
05-37	Simple PLC step 9th acceleration / deceleration time selection	0~3	0	↗
05-38	Simple PLC stage 10th running time	0.0s(h)~6500.0s(h)	0.0s(h)	↗
05-39	Simple PLC step 10th acceleration / deceleration time selection	0~3	0	↗
05-40	Simple PLC stage 11th running time	0.0s(h)~6500.0s(h)	0.0s(h)	↗
05-41	Simple PLC step 11th acceleration / deceleration time selection	0~3	0	↗
05-42	Simple PLC stage 12th running time	0.0s(h)~6500.0s(h)	0.0s(h)	↗
05-43	Simple PLC step 12th acceleration / deceleration time selection	0~3	0	↗
05-44	Simple PLC stage 13th running time	0.0s(h)~6500.0s(h)	0.0s(h)	↗
05-45	Simple PLC step 13th acceleration / deceleration time selection	0~3	0	↗
05-46	Simple PLC stage 14th running time	0.0s(h)~6500.0s(h)	0.0s(h)	↗
05-47	Simple PLC step 14th acceleration / deceleration time selection	0~3	0	↗
05-48	Simple PLC stage 15th running time	0.0s(h)~6500.0s(h)	0.0s(h)	↗
05-49	Simple PLC step 15th acceleration / deceleration time selection	0~3	0	↗
05-50	Simple PLC running time unit	0:s(second) 1:h(hour)	0	↗

06 Output terminal parameters

⚡ indicates that the parameters can be set during operation

Parameter	Parameter function	Setting range	Factory setting	
06-01	Control board relay function selection (RA-RC)	0:No output 1:Inverter is running 2:Fault output (stop) 3:Frequency level detection FDT1 output 4:Frequency reached 5:Running at zero speed (no output when stopped) 6:Motor overload pre-alarm 7:Inverter overload pre-alarm 8:Set count value reached 9:Designated count value reached 10:Length reached 11:PLC cycle completed 12:Cumulative running time arrived 13:Frequency limited 14:Torque limited 15:Ready for run 16:reserved 17:Upper limit frequency reached 18:Lower limit frequency reached (operation valid) 19:Undervoltage state output 20:Communication setting 21:reserved 22:Reserved 23:Zero speed running 2 (also output when stopped) 24:Cumulative power-on time arrived 25:Frequency level detection FDT2 output 26:Frequency 1 reaches the output 27:Frequency 2 reaches the output 28:Current 1 reaches the output 29:Current 2 reaches the output 30:Timing reached 31:AVI input exceeds limit 32:Reserved 33:Reverse running 34:Zero current state 35:Module temperature reached 36:Output current exceeded 37:Lower limit frequency reached (also output when stopped) 38:Warning output (continued) 39:reserved 40:Current running time reached 41-44: reserved	2	⚡

06 Output terminal parameters

↗ indicates that the parameters can be set during operation

Parameter	Parameter function	Setting range	Factory setting	
06-07	AFM output function selection	0:Running frequency 1:Set frequency 2:Output current 3:Output torque 4:Output power 5:Output voltage 6:PULSE input (100.% corresponds to 100.0kHz) 7:AVI 8:AVI2 / ACI 9:Reserved 10:Length 11:Count value 12:Communication setting 13:Motor rotation speed 14:Output current (100.0% corresponds to 1000.0A) 15:BUS voltage (100.0% corresponds to 1000.0V) 16-22:Reserved	0	↗
06-10	AFM zero offset coefficient	-100.0%~+100.0%	0.0%	↗
06-11	AFM gain	-10.00~+10.00	1.00	↗
06-18	Relay RA-RC output delay time	0.0s~3600.0s	0.0s	↗
06-22	Multi functional output terminal active mode selection	0:Positive logic 1:Negative logic Single digit:Reserved Tenth digit:relay RA-RC Hundreds digit:Reserved Thousands digit:Reserved Tens of thousands digit:Reserved	0	↗

07 Start and stop control parameters

↗ indicates that the parameters can be set during operation

Parameter	Parameter function	Setting range	Factory setting	
07-01	Startup frequency	0.00Hz~50.00Hz	0.50Hz	↗
07-02	Startup frequency holding time	0.0s~100.0s	0.0s	
07-03	Startup DC braking current / pre-excitation current	0%~100%	0%	
07-04	Startup DC braking time / pre-excitation time	0.0s~100.0s	0.0s	

07 Start and stop control parameters ↗ indicates that the parameters can be set during operation

Parameter	Parameter function	Setting range	Factory setting	
07-05	Stop mode	0:Decelerate to stop 1:Coast to stop	0	↗
07-06	Starting DC braking frequency at stop	0.00Hz~max frequency	0.00Hz	↗
07-07	DC braking waiting time at stop	0.0s~100.0s	0.0s	↗
07-08	DC braking current at stop	0%~100%	30%	↗
07-09	DC braking time at stop	0.0s~100.0s	0.0s	↗
07-10	Brake usage	0.0%~100.0%	80.0%	↗
07-11	Acceleration and deceleration mode	0:linear acceleration / deceleration 1:S curve acceleration and deceleration A 2:S curve acceleration / deceleration B	0	
07-12	S curve start time ratio	0.0%~(100.0%-07-13)	30.0%	
07-13	S curve end time ratio	0.0%~(100.0%-07-12)	30.0%	

08 Man-machine interface parameters ↗ indicates that the parameters can be set during operation

Parameter	Parameter function	Setting range	Factory setting	
08-00	User password	0~65535	0	↗
08-02	STOP/RESET key function	0:Only in the keyboard operation mode, the STOP/RESET key stop function is effective 1:In any operation mode, the STOP/RESET key stop function is effective	0	↗
08-03	LED operation display parameter 1	0000~FFFF Bit00:Running frequency (Hz) Bit01:Output current(A) Bit02:BUS Voltage(V) Bit03:Output voltage(V) Bit04:Setting frequency(Hz) Bit05:Output power(kW) Bit06:Output torque(%) Bit07:MI input status Bit08:MO output status Bit09:AVI voltage(V) Bit10:Reserved Bit11:Reserved Bit12:Count value Bit13:Length Bit14:Load speed Bit15:PID setting	H.001F	↗

08 Man-machine interface parameters ⚡ indicates that the parameters can be set during operation

Parameter	Parameter function	Setting range	Factory setting	
08-04	LED operation display parameter 2	0000~FFFF Bit00:PID feedback Bit01:PLC stage Bit02:PULSE input pulse frequency(kHz) Bit03:Running frequenc 2(Hz) Bit04:Remaining running time Bit05:Reserved Bit06:Reserved Bit07:Reserved Bit08:Line speed Bit09:Current power-on time(Hour) Bit10:Current running time(Min) Bit11:PULSE input pulse frequency(Hz) Bit12:Communication setting value Bit13:Reserved Bit14:Main frequency X display (Hz) Bit15:Auxiliary frequency Y display(Hz)	H.0000	⚡
08-05	LED shutdown display parameters	0000~FFFF Bit00:Setting frequency(Hz) Bit01:BUS voltage(V) Bit02:MI input status Bit03:MO output status Bit04:AVI voltage(V) Bit05:Reserved Bit06:Reserved Bit07:Count value Bit08:Length Bit09:PLC stage Bit10:Load speed Bit11:PID setting Bit12:PULSE input pulse frequency(kHz)	H.0003	⚡
08-06	Load speed display coefficient	0.0001~6.5000	1.0000	⚡
08-08	Inverter module radiator temperature	0.0℃~100.0℃	-	
08-10	Software version No.	-	-	
08-11	Cumulative running time	0h~65535h	-	
08-12	Load speed display the number of decimal places	Units: Number of decimal places for load speed Tens place:Reserved 0:0 decimal place 1:1 decimal place 2:2 decimal places 3:3 decimal places	20	⚡

08 Man-machine interface parameters ↗ indicates that the parameters can be set during operation

Parameter	Parameter function	Setting range	Factory setting	
08-13	Cumulative power-on time	0h~65535h	-	
08-14	Cumulative power consumption	0~65535 degree	-	

09 Accessibility parameters ↗ indicates that the parameters can be set during operation

Parameter	Parameter function	Setting range	Factory setting		
09-00	Jog running frequency	0.00Hz~max frequency	5.00Hz	↗	
09-01	Jog acceleration time	0.0s~6500.0s	20.0s	↗	
09-02	Jog deceleration time	0.0s~6500.0s	20.0s	↗	
09-03	Acceleration time 2	0.0s~6500.0s	Type setting	↗	
09-04	Deceleration time 2	0.0s~6500.0s		↗	
09-05	Acceleration time 3	0.0s~6500.0s		↗	
09-06	Deceleration time 3	0.0s~6500.0s		↗	
09-07	Acceleration time 4	0.0s~6500.0s		↗	
09-08	Deceleration time 4	0.0s~6500.0s		↗	
09-09	Jump frequency 1	0.00Hz~max frequency		0.00Hz	↗
09-10	Jump frequency 2	0.00Hz~max frequency		0.00Hz	↗
09-11	Jump frequency Amplitude	0.00Hz~max frequency	0.00Hz	↗	
09-12	Forward and reverse dead time	0.0s~3000.0s	0.0s	↗	
09-13	Reverse control enable	0:Enabled 1:Disabled	0	↗	
09-14	Operating mode with set frequency lower than lower limit frequency	0:Run at the lower limit frequency 1:Downtime 2:Zero speed operation	0	↗	
09-15	Drop control	0.00Hz~10.00Hz	0.00Hz	↗	
09-16	Set cumulative power-on arrival time	0h~65000h	0h	↗	
09-17	Set cumulative running arrival time	0h~65000h	0h	↗	
09-18	Power-on operation protection options	0:Run command is valid when power on 1:Run command is invalid when power on	1	↗	
09-19	Frequency detection value(FDT1)	0.00Hz~max frequency	50.00Hz	↗	
09-20	Frequency detection hysteresis(FDT1)	0.0%~100.0%(FDT1 Level)	5.0%	↗	
09-21	Frequency reach detection width	0.0%~100.0%(max frequency)	0.0%	↗	

09 Accessibility parameters

↗ indicates that the parameters can be set during operation

Parameter	Parameter function	Setting range	Factory setting	
09-22	Whether the jump frequency is effective during acceleration and deceleration	0:Invalid 1:Valid	0	↗
09-25	Switching frequency point between acceleration time 1 and acceleration time 2	0.00Hz~max frequency	0.00Hz	↗
09-26	Switching frequency point between deceleration time 1 and deceleration time 2	0.00Hz~max frequency	0.00Hz	↗
09-27	Terminal jogging priority	0:Invalid 1:Valid	0	↗
09-28	Frequency detection value(FDT2)	0.00Hz~max frequency	50.00Hz	↗
09-29	Frequency detection hysteresis(FDT2)	0.0%~100.0%(FDT2 Level)	5.0%	↗
09-30	Arbitrary arrival frequency detection value 1	0.00Hz~max frequency	50.00Hz	↗
09-31	Arbitrary arrival frequency detection width 1	0.0%~100.0%(max frequency)	0.0%	↗
09-32	Arbitrary arrival frequency detection value 2	0.00Hz~max frequency	50.00Hz	↗
09-33	Arbitrary arrival frequency detection width 2	0.0%~100.0%(max frequency)	0.0%	↗
09-34	Zero current detection level	0.0%~300.0% 100.0% corresponds to the rated current of the motor	5.0%	↗
09-35	Zero current detection delay time	0.01s~600.00s	0.10s	↗
09-36	Output current limit	0.0%(No detection) 0.1%~300.0%(motor rated current)	200.0%	↗
09-37	Output overcurrent detection delay time	0.00s~600.00s	0.00s	↗
09-38	Arbitrary arrival current 1	0.0%~300.0%(motor rated current)	50.0%	↗
09-39	Arbitrary arrival current 1 width	0.0%~300.0%(motor rated current)	0.3%	↗
09-40	Arbitrary arrival current 2	0.0%~300.0%(motor rated current)	100.0%	↗
09-41	Arbitrary arrival current 2 width	0.0%~300.0%(motor rated current)	0.0%	↗
09-42	Timing function selection	0:Invalid 1:Valid	0	
09-43	Timed running time selection	0:09-44 setting 1:AVI 2:Reserved 3:Reserved Analog input range corresponds to 09-44	0	

09 Accessibility parameters

↗ indicates that the parameters can be set during operation

Parameter	Parameter function	Setting range	Factory setting	
09-44	Timed running time	0.0Min~6500.0Min	0.0Min	
09-45	Lower limit of AVI input voltage protection value	0.00V~09-46	3.10V	↗
09-46	Upper limit of AVI input voltage protection value	09-45~11.00V	6.80V	↗
09-47	Module temperature reached	0°C~100°C	75°C	↗
09-48	Cooling fan control	0:Fan run during operation 1:The fan keeps running	0	
09-49	Wake frequency	Sleep frequency(09-51)~max frequency (00-03)	0.00Hz	↗
09-50	Wake delay time	0.0s~6500.0s	0.0s	↗
09-51	Sleep frequency	0.00Hz~Wake frequency(09-49)	0.00Hz	
09-52	Sleep delay time	0.0s~6500.0s	0.0s	↗
09-53	Arrival time setting for this run	0.0Min~6500.0Min	0.0Min	
09-54	Output power gain	0.00%~200.0%	100.0%	↗

10 PID Control parameters

↗ indicates that the parameters can be set during operation

Parameter	Parameter function	Setting range	Factory setting	
10-00	PID given source	0:10-01 setting 1:AVI 2:Reserved 3:Reserved 4:PULSE setting(MI5) 5:Communication setting 6:Multi-step speed command given	0	↗
10-01	PID data given	0.0%~100.0%	50.0%	↗
10-02	PID feedback source	0:AVI 1:Reserved 2:Reserved 3:Reserved 4:PULSE setting(MI5) 5:Communication setting 6:Reserved 7:Reserved 8:Reserved	0	↗
10-03	PID action direction	0:Positive action 1:Reaction	0	↗
10-04	PID given feedback range	0~65535	1000	↗

10 PID Control parameters

⚡ indicates that the parameters can be set during operation

Parameter	Parameter function	Setting range	Factory setting	
10-05	Proportional gain Kp1	0.0~999.9	20.0	⚡
10-06	Integration time Ti1	0.00s~10.00s	2.00s	⚡
10-07	Differential time Td1	0.000s~10.000s	0.000s	⚡
10-08	PID reverse cutoff frequency	0.00~Max frequency	0.00Hz	⚡
10-09	PID deviation limit	0.0%~100.0%	0.0%	⚡
10-10	PID differential limiting	0.00%~100.00%	0.50%	⚡
10-11	PID given change time	0.00~650.00s	0.00s	⚡
10-12	PID feedback filter time	0.00~60.00s	0.00s	⚡
10-15	Proportional gain Kp2	0.0~999.9	20.0	⚡
10-16	Integration time Ti2	0.00s~10.00s	2.00s	⚡
10-17	Differential time Td2	0.000s~10.000s	0.000s	⚡
10-18	PID parameter switching conditions	0:No switch 1:Switch via MI terminal 2:Automatically switch according to deviation 3:Automatically switch according to operating frequency	0	⚡
10-19	PID parameter switching deviation 1	0.0%~10-20	20.0%	⚡
10-20	PID parameter switching deviation 2	10-19~100.0%	80.0%	⚡
10-21	PID Initial value	0.0%~100.0%	0.0%	⚡
10-22	PID initial value hold time	0.00~650.00s	0.00s	⚡
10-26	PID feedback lower limit detection	0.0%: No judgment 0.1%~100.0%	0.0%	⚡
10-27	PID feedback loss detection time	0.0s~20.0s	0.0s	⚡
10-28	PID shutdown calculation	0:No operation during shutdown 1:Operation at shutdown	0	⚡

11 Fault and protection parameters

⚡ indicates that the parameters can be set during operation

Parameter	Parameter function	Setting range	Factory setting	
11-00	Motor overload protection selection	0:Disabled 1:Enabled	1	⚡
11-01	Motor overload protection gain	0.20~10.00	1.00	⚡
11-02	Motor overload pre-warning coefficient	50%~100%	80%	⚡

11 Fault and protection parameters

↗ indicates that the parameters can be set during operation

Parameter	Parameter function	Setting range	Factory setting	
11-03	Selection of short-circuit protection to ground	Units: short circuit protection on power-on to ground Tens place: short circuit protection to ground before operation 0:Invalid 1:Valid	01	↗
11-08	Brake initial voltage	200.0~800.0V	220V:370.0V 380V:690.0V	↗
11-09	Fault automatic reset times	0~30	0	↗
11-10	Action selection of fault multi-function output terminal during fault automatic reset	0:No action 1:Action	0	↗
11-11	Fault automatic reset interval time	0.1s~100.0s	6.0s	↗
11-13	Output phase loss protection selection	Units: output phase loss protection Tens place: output phase loss protection before running 0:Disabled 1:Enabled	1	↗
11-14	First failure type	0:No fault	—	
11-15	Second failure type	1:Short circuit protection (sc) 2:Overcurrent during acceleration (oc1) 3:Overcurrent during deceleration (oc2) 4:Overcurrent at constant speed (oc3) 5:Overvoltage during acceleration (ou1) 6:Overvoltage during deceleration (ou2) 7:Overvoltage at constant speed (ou3) 8:Reserved 9:Undervoltage (UV) 10:Inverter overload (OL2) 11:Motor overload (ORL1) 12:Reserved 13:Output phase loss (SPO)	—	
11-16	Third (last) fault type	14:Module overheat (oh2) 15:External fault (EF) 16:Communication error (CE) 17:Contactor fault (Cotr) 18:Current detection fault (it) 19:Motor auto-tuning fault (TE) 20:Reserved 21:EEPROM read write error (EEP) 22:Inverter hardware fault (EIU) 23:Motor short circuit to ground (SG) 24:Reserved 25:Reserved	—	

11 Fault and protection parameters

↗ indicates that the parameters can be set during operation

Parameter	Parameter function	Setting range	Factory setting	
		26:Running time arrival(Eond) 27:Reserved 28:Reserved 29:Power-on time arrival(EIND) 30:Load failure (oLL) 31:The PID feedback disconnected (PIDE) 40:Current limiting fault (CLb)		
11-17	Frequency at the third (latest) failure	—	—	
11-18	Current at the third (latest) fault	—	—	
11-19	Bus voltage at the third (latest) fault	—	—	
11-20	Input terminal status at the third (latest) fault	—	—	
11-21	Output terminal status at the third (latest) fault	—	—	
11-22	Inverter status at the third (latest) fault	—	—	
11-23	Power-on time at the third (latest) fault	—	—	
11-24	Running time at the third (latest) failure	—	—	
11-27	Frequency at second failure	—	—	
11-28	Current at second fault	—	—	
11-29	Bus voltage at the second fault	—	—	
11-30	Input terminal status at the second fault	—	—	
11-31	Output terminal status at the second fault	—	—	
11-32	Inverter status at the second fault	—	—	
11-33	Power-on time at the second fault	—	—	
11-34	Running time on second failure	—	—	
11-37	Frequency at first failure	—	—	
11-38	Current at first fault	—	—	
11-39	Bus voltage at first fault	—	—	
11-40	Input terminal status at the first fault	—	—	
11-41	Output terminal status at the first fault	—	—	
11-42	Inverter status at first fault	—	—	

11 Fault and protection parameters

⚡ indicates that the parameters can be set during operation

Parameter	Parameter function	Setting range	Factory setting	
11-43	Power-on time at first failure	—	—	
11-44	Operating time at first failure	—	—	
11-47	Fault protection action selection 1	Single digit: Motor overload 0: Coast to stop 1: Stop according to the stop mode 2: Continue to run Tens digital: Reserved hundreds digital: output phase loss (Same bit) thousands digital: External fault (Same bit) ten thousands digital: Communication error (Same bit)	0	⚡
11-48	Fault protection action selection 2	Single digit: Reserved Tens digital: EEPROM read write fault 0: Coast to stop 1: Stop according to the stop mode hundreds digital: Reserved thousands digital: Reserved ten thousands digital: Operating time arrival (same as 11-47 digits)	0	⚡
11-49	Fault protection action selection 3	Single digit: Reserved Tens digital: Reserved Hundreds digital: Power-on time arrival (same as 11-47 digits) thousands digital: Lost load 0: Coast to stop 1: Stop according to the stop mode 2: Reserved Ten thousands digital: PID feedback lost during operation (same as 11-47 digits)	0	⚡
11-50	Fault protection action selection 4	Reserved	0	⚡
11-54	Continue running frequency selection in case of failure	0: Run at current operating frequency 1: Run at set frequency 2: Run at upper limit frequency 3: Run at the lower limit frequency 4: Run at abnormal standby frequency	0	⚡
11-55	Abnormal standby frequency	0.0% ~ 100.0% (100.0% corresponds to the maximum frequency 00-03)	100.0%	⚡
11-59	Instantaneous power failure action selection	0: Invalid 1: Deceleration 2: Decelerate to stop	0	⚡

11 Fault and protection parameters

↗ indicates that the parameters can be set during operation

Parameter	Parameter function	Setting range	Factory setting	
11-60	Instantaneous power failure action pause judgment voltage	20~150.0%	85%	↗
11-61	Judgment time of instantaneous power failure voltage rise	0.0s~100.0s	0.3s	↗
11-62	Judgment voltage of instantaneous power failure	20%~150%(Standard bus Voltage)	80%	↗
11-63	Lost load protection options	0:Invalid 1:Valid	0	↗
11-64	Lost load detection level	0.0~100.0%	10.0%	↗
11-65	Lost load detection time	0.0s~60.0s	1.0s	↗

12 Serial communication parameters

↗ indicates that the parameters can be set during operation

Parameter	Parameter function	Setting range	Factory setting	
12-00	Local address	1~247, 0 is broadcast address	1	↗
12-01	Baud rate	Single digit:modbus 0:300bps 1:600bps 2:1200bps 3:2400bps 4:4800bps 5:9600bps 6:19200bps 7:38400bps 8:57600bps 9:115200bps	5	↗
12-02	Data format	0:No checking(8-N-1) 1:Even parity checking(8-E-1) 2:Odd parity checking(8-O-1) 3:No checking(8-N-2)	0	↗
12-03	Communication response delay	0ms~20ms	2ms	↗
12-04	Communication timeout	0.0(invalid) 0.1s~60.0s	0.0s	↗
12-06	Communication reading current resolution	0:0.01A 1:0.1A	0	↗

13 Wobble frequency counting parameters

↗ indicates that the parameters can be set during operation

Parameter	Parameter function	Setting range	Factory setting	
13-05	Set length	0m~65535m	1000m	↗
13-06	Actual Length	0m~65535m	0m	↗
13-07	Pulses per meter	0.1~6553.5	100.0	↗
13-08	Set count value	1~65535	1000	↗
13-09	Designated count value	1~65535	1000	↗

16 Parameter management

↗ indicates that the parameters can be set during operation

Parameter	Parameter function	Setting range	Factory setting	
16-04	Parameter modification properties	0:Parameters can be read and written 1:The parameter is read-only	0	↗

22 Control optimization parameters

↗ indicates that the parameters can be set during operation

Parameter	Parameter function	Setting range	Factory setting	
22-04	Fast current limit enable	0:No enabling 1:Enabling	1	↗
22-06	Undervoltage level	DC160V-DC420V	220V:200.0V 380V:350.0V	↗

99 Monitoring parameters

↗ indicates that the parameters can be set during operation

Parameter	Parameter function	Setting range
99-00	Running frequency(Hz)	0.01Hz
99-01	Setting frequency(Hz)	0.01Hz
99-02	Bus voltage(V)	0.1V
99-03	Output voltage(V)	1V
99-04	Output current(A)	0.01A
99-05	Output power(kW)	0.1kW
99-06	Output torque(%)	0.1%
99-07	MI input status	1
99-08	MO output status	1
99-09	AVI voltage(V)	0.01V

99 Monitoring parameters

↗ indicates that the parameters can be set during operation

Parameter	Parameter function	Setting range
99-12	Count value	1
99-13	Length	1
99-14	Load speed	1
99-15	PID setting	1
99-16	PID feedback	1
99-17	PLC stage	1
99-18	PULSE input pulse frequency(Hz)	0.01kHz
99-19	Feedback speed(Unit 0.1Hz)	0.1Hz
99-20	Remaining running time	0.1Min
99-21	AVI voltage before calibration	0.001V
99-22	Reserved voltage before calibration	0.001V
99-23	Reserved	
99-24	Line speed	1m/Min
99-25	Current power-on time	1Min
99-26	Current running time	0.1Min
99-27	PULSE input pulse frequency	1Hz
99-28	Communication setting value	0.01%
99-30	Main frequency X display	0.01Hz
99-31	Auxiliary frequency Y display	0.01Hz
99-32	View any memory address value	1
99-35	Target torque (%)	0.1%
99-39	V/F separation target voltage	1V
99-40	V/F separation output voltage	1V
99-41	Visual display of MI input status	1
99-42	Visual display of MO input status	1
99-43	MI function status visual display 1(function 01- function 40)	1
99-44	MI function status visual display 2(function 41- function 50)	1
99-59	Setting frequency (%)	0.01%
99-60	Running frequency (%)	0.01%
99-61	Inverter status	1

Note: 1.The parameters not listed in the parameter table are reserved parameters, do not modify the default.

2.The correspondence address of 99-00 is 4300H.

9. Description of Functional Parameters

This chapter will give a detailed description of all functional parameters. It is divided into various parameter groups according to the attributes of the parameters; making parameter setting easier. In most applications, users can complete the settings before operation according to the related parameter settings in the parameter group.

The parameter groups are as follows:

Parameter	Function	Parameter	Function	Parameter	Function
00	Basic function parameters	06	Output terminal parameters	12	Serial communication parameters
01	Motor control parameters	07	Start and stop control parameters	13	Wobble frequency counting parameters
02	Vector control parameters	08	Man-machine interface parameters	22	Control optimization parameters
03	V/f control parameters	09	Accessibility parameters	99	Monitoring parameters
04	Input terminal parameters	10	PID control parameters		
05	Multi-speed, simple PLC control	11	Fault and protection parameters		

↗ Indicates that the parameters can be set during operation

00 Basic Functions Parameters

00-00	Command source selection		↗	Factory setting	0
	Setting range	0	Keyboard command		
		1	Terminal command		
		2	Communication command		

Select the input channel for inverter control commands.

Inverter control commands include: start, stop, forward, reverse, and jog.

0: Keyboard command channel

Run command control is performed by the RUN, STOP/RESET buttons on the operation panel.

1: Terminal command channel

Run command control is performed by multi-function input terminals FWD, REV, FJOG, RJOG, etc.

2: Communication command channel

The running command is given by the host computer through communication.

00-01	Keyboard and terminal UP/DOWN setting selection		↗	Factory setting	2
	Setting range	0	Stop memory and power failure storage		
		1	Stop memory		
		2	Stop no memory		

This function is only valid when the frequency source is set digitally.

"Stop memory" refers to the inverter is stopped, a digital frequency keep the last set frequency retention time, keyboard ▲, ▼ key or the UP terminal, the frequency correction for maintaining effective DOWN, and again after power down Still effective.

"Stop memory" means that after the inverter is stopped, the digital set frequency is retained as the set frequency at the last stop time, and the frequency correction by the keyboard ▲, ▼ keys or terminals UP and DOWN remains valid.

"Stop no memory" means that after the inverter stops, the digital set frequency value returns to the value of 00-06 (keyboard given frequency), and the frequency correction performed by the keyboard ▲, ▼ keys or terminals UP and DOWN is cleared.

00-02	Main frequency source X selection		Factory setting	1
	Setting range	0	Digital setting (keyboard given frequency 00-06, UP/DOWN can be modified)	
		1	AVI	
		2	Reserved	
		3	Reserved	
		4	Multi-speed command	
		5	PID control	
		6	Communication setting(Remote panel)	
		7	Simple PLC	
		8	Panel potentiometer	
		9	Pulse setting (MI5)	

Select the input channel of the main given frequency of the inverter:

0: Digital setting

The initial value of the set frequency is 00-06 "Keyboard given frequency" value. The set frequency value of the inverter can be changed by the ▲ and ▼ keys of the keyboard (or UP and DOWN of the multi-function input terminal).

Tip: Please refer to parameter 00-01 for UP and DOWN.

1: AVI

2: Reserved

3: Reserved

The frequency is determined by the analog input terminal. The control board provides 1 analog input terminals (AVI).

Among them, AVI is 0V ~ 10V voltage type input, can also be 4mA ~ 20mA current input, selected by the jumper on the control board.

The corresponding relationship between the input voltage value of AVI and the target frequency can be freely selected by the user.

4: Multi-speed command

When this frequency setting mode is selected, the inverter runs in multi-speed mode. Group 04 and Group 05 "multi-stage speed control group" parameters need to be set to determine the correspondence between a given percentage and a given frequency.

5: PID

If this parameter is selected, the inverter operation mode is process PID control. At this time, 10 groups of "PID control groups" need to be set. The running frequency of the inverter is the frequency value after PID function. For the meaning of PID given source, given amount and feedback source, please refer to the introduction of 10 groups of "PID function".

6: Communication setting (Remote panel)

The frequency command is given by the host computer through communication. For details, please refer to 12 Communication protocol.

When the extension panel is connected, the main frequency source is given by the rotation of the potentiometer on the extension panel.

7: Simple PLC

When the frequency source is a simple PLC, the operating frequency source of the inverter can be switched between 1 to 16 arbitrary frequency commands. The holding time of 1 to 16 frequency commands and the respective acceleration and deceleration time can also be set by the user. 05 group related instructions.

8: Panel potentiometer

The main frequency source is given by the rotation of the potentiometer on the panel.

9: Pulse setting (MI5)

Frequency setting is given by terminal pulse (pulse can only be input from input terminal MI5). Pulse given signal specifications: voltage range 20V ~ 27V, frequency range 0kHz ~ 100kHz.

The pulse frequency of the MI5 terminal input is set with reference to 04-28~04-31. The pulse input is set to 100.0%, relative to the percentage of the maximum frequency 00-03.

00-03	Maximum frequency	Factory setting	50.00 Hz
	Setting range	50.00Hz~500.00Hz	

Used to set the maximum output frequency of the inverter. Frequency commands are all scaled according to this parameter, which is the basis of frequency setting.

The maximum output frequency of S600 can reach 3200Hz. The frequency command resolution and frequency input range can be changed by selecting the number of decimal places of frequency command through 00-25.

When 00-25 is 1, the frequency resolution is 0.1Hz, and the setting range of 00-03 is 50.0Hz~3200.0Hz;

00-04	Upper limit frequency	↗	Factory setting	50.00Hz
	Setting range	Lower limit frequency 00-05~max frequency 00-03		

When the upper limit frequency is set by analog or PULSE, 00-21 is used as the offset value of the set value, and the offset frequency is 00-20.

The set upper limit frequency value is superimposed as the final upper limit frequency setting value.

00-05	Lower limit frequency	↗	Factory setting	0.00Hz
	Setting range	0.00Hz~Upper limit frequency 00-04		

When the frequency command is lower than the lower limit frequency set by 00-05, the inverter can be stopped, run at the lower limit frequency or run at zero speed, and set the operation mode through 09-14 (the set frequency is lower than the lower limit frequency operation mode).

00-06	Keyboard setting frequency	↗	Factory setting	50.00Hz
	Setting range	0.00~max frequency 00-03		

When the frequency source is selected as "digital setting", the parameter value is the initial value of the frequency digital setting of the inverter.

00-07	Acceleration time1	↗	Factory setting	Type setting
	Setting range	0.00s~65000s		
00-08	Deceleration time 1	↗	Factory setting	Type setting
	Setting range	0.00s~65000s		

The acceleration time refers to the time required for the inverter to accelerate from zero frequency to the acceleration and deceleration base frequency (determined from 00-23), see t1 in Figure 5-1.

The deceleration time refers to the time required for the inverter to decelerate to the zero frequency from the base frequency of acceleration and deceleration (determined from 00-23), see t2 in Figure 5-1

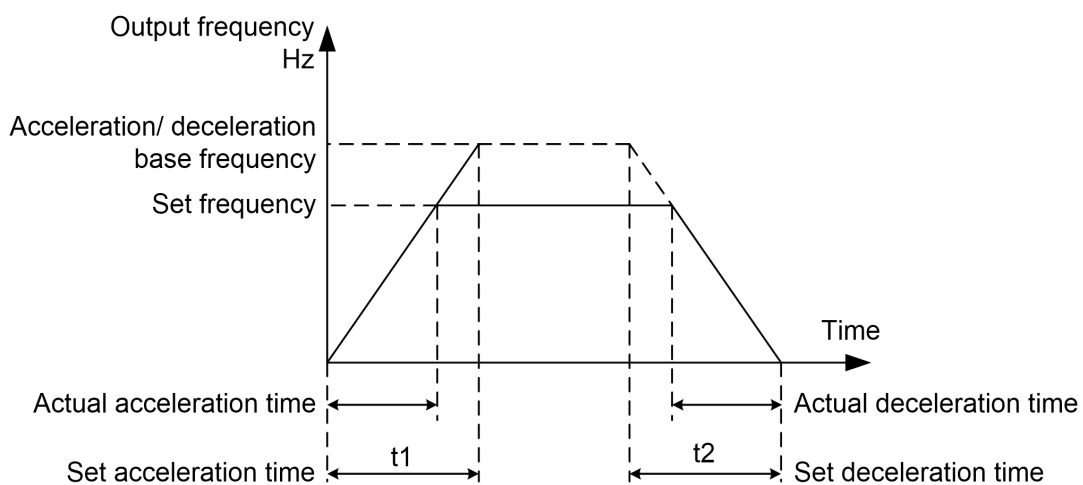


Figure 5-1 Schematic diagram of acceleration and deceleration time

S600 provides 4 groups of acceleration and deceleration time, users can use the digital input terminal MI to switch selection, the four groups of acceleration and deceleration time are set by the following parameters:

The first group: 00-07, 00-08; The second group: 09-03, 09-04; The third group: 09-05, 09-06; The fourth group: 09-07, 09-08.

00-09	Operation direction	↗	Factory setting	0
	Setting range	0	Forward	
		1	Reverse	

Used to change the direction of the motor, its role is equivalent to changing the direction of motor rotation by adjusting any two motor lines.

Note: After the parameters are initialized, the motor running direction will return to its original state. For occasions where it is strictly forbidden to change the direction of the motor after system debugging, please use it with caution.

00-10	Carrier frequency	↗	Factory setting	Type setting
	Setting range	0.5kHz~12.0kHz		

This function adjusts the carrier frequency of the inverter. By adjusting the carrier frequency can reduce the motor noise, avoid the resonance point of the mechanical system, reduce the line leakage current to the ground and reduce the interference generated by the inverter.

The advantages of high carrier frequency: the current waveform is ideal, the current harmonics are less, and the motor noise is small;

Disadvantages of high carrier frequency: increased switching loss, increased temperature rise of the inverter, and affected the output capacity of the inverter. Under high carrier frequency, the inverter needs to be derated; at the same time, the leakage current of the inverter increases, which Increased electromagnetic interference.

The effect of carrier frequency on the following performance:

Carrier frequency	Low	→	High
Motor noise	Large	→	Small
Output current waveform	Bad	→	Good
Motor temperature rise	High	→	Low
Inverter temperature rise	Low	→	High
Leakage current	Small	→	Large
External radiation interference	Small	→	Large

The factory setting of carrier frequency is different according to different power models. The user can modify it as needed, but it should be noted that if the carrier frequency is set higher than the factory value, it will cause the temperature rise of the inverter radiator to increase. At this time, the user needs to derate the inverter, otherwise the inverter will be in danger of overheating.

00-11	Parameter initialization	Factory setting	0
	Setting range	0	No operation
		1	Restore factory parameters, excluding motor parameters
		2	Clear record information
		3	Copy the inverter parameters to the extension panel
		4	Copy the parameters of the extended panel to the inverter

1. Restore the factory settings, most of the inverter parameters are restored to the factory values, but the motor parameters, fault record information, cumulative running time (08-11), cumulative power-on time (08-13), the cumulative power consumption (08-14) does not recover.

2. Clear record information

Clear the inverter fault record information, cumulative running time (08-11), cumulative power-on time (08-13), cumulative power consumption (08-14).

Note: The parameter value automatically returns to 0 after the operation is completed.

3. Copy the inverter parameters to the extension panel

The S600 extension panel uses a universal direct-connected network cable to connect to the S600 inverter, and it can automatically recognize that it is synchronized with the keyboard of the machine. However, if the potentiometer of the extension panel is to set the frequency, it is necessary to set 00-02 to 6 communication setting mode.

4. Copy the parameters of the extended panel to the inverter

Except for some advanced parameters and communication parameters, most of the copied parameters can be copied.

Note: The use of the extended display board will occupy the use of the SG+/- communication terminal, that is, the two cannot be used at the same time.

00-12	Carrier frequency adjusts with temperature		↗	Factory setting	1
	Setting range	0	no		
		1	yes		

The carrier frequency is adjusted with the temperature. When the inverter detects that the radiator temperature is high, the carrier frequency is automatically reduced to prevent the inverter temperature from rising too high and reduce the overheating alarm. When the temperature of the radiator drops, the carrier frequency automatically returns to the set value.

00-14	Auxiliary frequency source Y selection (Refer to 00-02)		Factory setting	0
	Setting range	0	Digital setting (keyboard given frequency 00-06, UP /DOWN can be modified)	
		1	AVI	
		2	Reserved	
		3	Reserved	
		4	Multi-speed command	
		5	PID control	
		6	Communication setting(Remote panel)	
		7	Simple PLC	
		8	Panel potentiometer	
		9	Pulse setting (MI5)	

When the auxiliary frequency source is used independently as the frequency reference channel (that is, the frequency source selection is switched to Y), the method of use is the same as the main frequency source X. You can refer to the 00-02 instructions.

When the auxiliary frequency source is given as a superposition (that is, the frequency source is selected as X+Y, X to X+Y switching or Y to X+Y switching), please note:

(1) When the auxiliary frequency source selects the digital setting, the given frequency (00-06) of the keyboard does not work, and the frequency can be adjusted by the ▲ and ▼ keys of the keyboard (or UP and DOWN of the multi-function input terminal). The frequency is adjusted on the basis of the main frequency.

(2) When the auxiliary frequency source selects analog (AVI) or pulse input as the timing, the input setting 100% corresponds to the frequency range, which can be set by 00-15 and 00-16.

Note: The setting values of 00-02 and 00-14 cannot be the same, that is, the auxiliary frequency source Y and the main frequency source X cannot select the same channel, otherwise the operation may be messy.

00-15	Selection of auxiliary frequency source Y range during stacking		↗	Factory setting	0
	Setting range	0	Relative to the maximum frequency		
		1	Relative to the main frequency source X		

00-16	Auxiliary frequency source Y range when superimposed		↗	Factory setting	100%
	Setting range	0%~150%			

When the frequency source is selected as "frequency superposition" (that is, 00-17 is set to 1, 3 or 4), these two parameters are used to determine the adjustment range of the auxiliary frequency source.

00-15 if you select 1 relative to the main frequency source X, the range of the auxiliary frequency source will change with the change of the main frequency X.

00-17	Frequency source overlay selection		↗	Factory setting	0
	Setting range	Single digit	Frequency source selection		
		0	Main frequency source X		
		1	Main and auxiliary calculation results (the operation relationship is determined by ten digits)		
		2	Switch between main frequency source X and auxiliary frequency source Y		
		3	Switch between main frequency source X and main and auxiliary calculation results		
		4	Switch between auxiliary frequency source Y and main and auxiliary calculation results		
		Tens digit	Frequency source main and auxiliary operation relationship		
		0	Main+auxiliary		
		1	Main-auxiliary		
		2	Maximum of both		
		3	Minimum of both		

Use this parameter to select the frequency reference channel. The frequency setting is realized by the combination of the main frequency source X and the auxiliary frequency source Y.

Single digit: frequency source selection:

0: Main frequency source X

The main frequency X is taken as the target frequency.

1: Main and auxiliary calculation results The main and auxiliary calculation results are used as the target frequency. For the relationship between the main and auxiliary calculations, please refer to the description of "Ten" of this parameter.

2: Switch between main frequency source X and auxiliary frequency source Y When multi-function input terminal function 18 (frequency switching) is invalid, main frequency X is used as the target frequency.

When the multi-function input terminal function 18 (frequency source switching) is valid, the auxiliary frequency Y is used as the target frequency.

3: Switch between main frequency source X and main and auxiliary calculation results When multi-function input terminal function 18 (frequency switching) is invalid, main frequency X is used as the target frequency.

When the multi-function input terminal function 18 (frequency switching) is valid, the main and auxiliary calculation results are used as the target frequency.

4: Switch between auxiliary frequency source Y and main and auxiliary calculation results When multi-function input terminal function 18 (frequency switching) is invalid, auxiliary frequency Y is used as the target frequency.

When the multi-function input terminal function 18 (frequency switching) is valid, the main and auxiliary calculation results are used as the target frequency.

Tens: Main and auxiliary calculation relationship of frequency source:

0: Main frequency source X + auxiliary frequency source Y

The sum of the main frequency X and the auxiliary frequency Y is taken as the target frequency. Realize the given function of frequency superposition.

1: Main frequency source X- auxiliary frequency source Y

The difference between the main frequency X and the auxiliary frequency Y is taken as the target frequency.

2: MAX (main frequency source X, auxiliary frequency source Y) Take the maximum absolute value of the main frequency X and auxiliary frequency Y as the target frequency.

3: MIN (main frequency source X, auxiliary frequency source Y) Take the minimum absolute value of the main frequency X and auxiliary frequency Y as the target frequency. In addition, when the frequency source is selected as the main and auxiliary operations, the offset frequency can be set through 00-19, and the offset frequency is superimposed on the main and auxiliary operation results to flexibly respond to various needs.

00-19	Auxiliary frequency source offset frequency when superimposed	↗	Factory setting	0.00Hz
	Setting range	0.00Hz~max frequency 00-03		

This parameter is only valid when the frequency source is selected as the main and auxiliary operation.

When the frequency source is the main and auxiliary operation, 00-19 is used as the offset frequency, and the result of the main and auxiliary operation is superimposed as the final frequency setting value, and the frequency setting is more flexible.

00-20	Upper frequency source		Factory setting	0
	Setting range	0	00-04 setting	
		1	AVI	
		2	Reserved	
		3	Reserved	
		4	Pulse setting	
		5	Communication setting	

Source selection for upper frequency. Especially in torque control, the output frequency of the inverter can be changed by changing the upper limit frequency.

Note: 100% of the analog input setting corresponds to 00-04.

00-21	Upper frequency offset	↗	Factory setting	0.00Hz
	Setting range	0.00Hz~max frequency 00-03		

When the upper limit frequency is set by analog or PULSE, 00-21 is used as the offset value of the set value, and the offset frequency is superimposed on the set upper limit frequency value of 00-20 as the final set value of the upper limit frequency.

00-22	Acceleration and deceleration time unit	Factory setting	1
	Setting range	0	1s
		1	0.1s
		2	0.01s

S600 has 3 kinds of acceleration and deceleration time unit selection. When modified, the decimal points of the 4 groups of acceleration and deceleration time will change, and the corresponding acceleration and deceleration time will also change. In application, pay attention to the specific value of acceleration and deceleration time.

00-23	Base frequency of acceleration and deceleration time	Factory setting	0
	Setting range	0	Maximum frequency (00-03)
		1	Set frequency
		2	100Hz

The acceleration and deceleration time refers to the acceleration and deceleration time from zero frequency to the frequency set by 00-23. Figure 5-1 is the schematic diagram of acceleration and deceleration time.

When 00-23 is selected as 1, if the set frequency changes frequently, the acceleration of the motor will also follow the change, so you need to pay attention to it during application.

00-24	Base frequency for UP/DOWN command during running	Factory setting	1
	Setting range	0	Running frequency
		1	Set frequency

This parameter is valid only when the frequency source is digitally set.

When the ▲, ▼ keys on the keyboard or the terminal UP/DOWN change the frequency, select whether to increase or decrease based on the running frequency or increase or decrease based on the set frequency.

Note that when 0 is selected, when the inverter is increasing or decreasing when the inverter is in the process of acceleration and deceleration, the given frequency may change significantly.

01 Motor Control Parameters

01-00	The first motor control mode		Factory setting	2
	Setting range	0	Speed sensorless vector control (SVC)	
		2	Vf control	

0: Speed sensorless vector control

Refers to open-loop vector control, which is suitable for the usual high-performance control occasions. One inverter can only drive one motor.

2: V/f control Applicable to the occasions where the load requirement is not high, or one inverter drives multiple motors.

01-02	Motor rated power		Factory setting	Type setting
	Setting range	0.1kW~1000.0kW		

01-03	Motor rated frequency		Factory setting	Type setting
	Setting range	0.01Hz~max frequency		

01-04	Motor rated rotation speed		Factory setting	Type setting
	Setting range	1rpm~65535rpm		

01-05	Motor rated voltage		Factory setting	Type setting
	Setting range	1V~2000V		

01-06	Motor rated current		Factory setting	Type setting
	Setting range	0.01A~655.35A		

Note: The above are the motor nameplate parameters, regardless of V/f control or vector control, the relevant parameters need to be set accurately according to the motor nameplate.

In order to obtain better V/f or vector control performance, motor parameter self-learning is required. Accurate parameter self-learning comes from the correct input of motor nameplate parameters.

01-07	Asynchronous motor stator resistance		Factory setting	Type setting
	Setting range	0.001Ω~65.535Ω		

01-08	Rotor resistance of asynchronous motor		Factory setting	Type setting
	Setting range	0.001Ω~65.535Ω		

01-09	Asynchronous motor leakage inductance		Factory setting	Type setting
	Setting range	0.01mH~655.35mH		

01-10	Asynchronous motor mutual inductance		Factory setting	Type setting
	Setting range	0.1mH~6553.5mH		

01-11	Asynchronous motor no-load current		Factory setting	Type setting
	Setting range	0.01A~01-06		

These parameters are the benchmark parameters of high-performance vector control and have a direct impact on the performance of the control.

Note: Users should not change this group of parameters at will.

01-12	Motor type selection		Factory setting	2
	Setting range	0	Ordinary asynchronous motor	
		1	Frequency conversion asynchronous motor	

02 Vector Control Parameters

02 Group parameters are only valid for vector control, not for V/f control.

02-00	Speed loop proportional gain 1	↗	Factory setting	15
	Setting range	1~100		
02-01	Speed loop integration time 1	↗	Factory setting	0.50s
	Setting range	0.01s~10.00s		
02-02	Switching frequency 1	↗	Factory setting	5.00Hz
	Setting range	0.00~02-05		
02-03	Speed loop proportional gain 2	↗	Factory setting	10
	Setting range	0~100		
02-04	Speed loop integration time 2	↗	Factory setting	1.00s
	Setting range	0.01s~10.00s		
02-05	Switching frequency 2	↗	Factory setting	10.00Hz
	Setting range	02-02~max frequency		

When the inverter runs at different frequencies, you can select different speed loop PI parameters. Below the switching frequency 1 (02-02), the speed loop PI parameters are: 02-00 and 02-01. Above the switching frequency 2 (02-05), the speed loop PI parameters are: 02-03 and 02-04. Between the two, the PI parameters are obtained from the linear changes of the two sets of parameters, as shown in Figure 5-2:

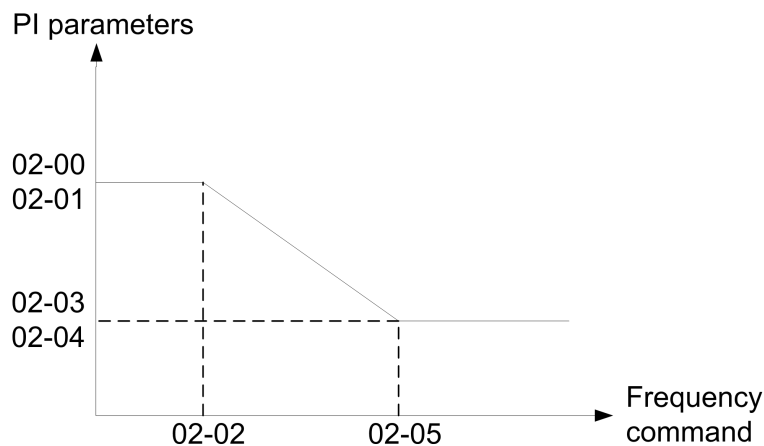


Figure 5-2 Schematic diagram of PI parameter

By setting the proportional coefficient and integral time of the speed regulator, the dynamic response characteristics of the speed loop of vector control can be adjusted. Increasing the proportional gain and reducing the integration time can speed up the dynamic response of the speed loop. However, if the proportional gain is too large or the integration time is too small, it is easy to cause system oscillation and overshoot. If the proportional gain is too small, it may easily lead to steady-state oscillation of the system, and there may be a static speed difference.

The PI parameters of the speed loop are closely related to the inertia of the system. For different load characteristics, the default PI parameters need to be adjusted to meet the needs of various occasions.

02-06	Vector control slip gain	↗	Factory setting	100%
	Setting range	50%~200%		

For speed sensorless vector control, this parameter is used to adjust the speed stability accuracy of the motor: when the motor is loaded with a low speed, increase this parameter, and vice versa.

02-07	Digital setting of torque upper limit in speed control mode	↗	Factory setting	150.0%
	Setting range	0.0%~200.0%		

In speed control mode, the maximum value of the inverter's output torque is selected by the upper torque source 02-10. When the analog, PULSE pulse, and communication settings are selected, the corresponding set 100% corresponds to 02-07, 100% is the rated torque of the inverter.

02-08	Speed loop filter time constant	↗	Factory setting	0.015s
	Setting range	0.000s~0.100s		

In vector control mode, this parameter is used to filter the speed loop torque command. This parameter generally does not need to be adjusted. When the speed fluctuation is large, the filtering time can be increased appropriately; if the motor oscillates, the parameter should be appropriately reduced. The speed loop filter time constant is small, the output torque of the inverter may fluctuate greatly, but the speed response is fast.

02-09	Vector control over excitation gain	↗	Factory setting	64
	Setting range	0~200		

During deceleration of the inverter, overexcitation control can suppress the rise of bus voltage and avoid overvoltage faults. The greater the overexcitation gain, the stronger the suppression effect.

However, if the gain is too large, it is easy to cause the output current to increase, which needs to be set appropriately. For the occasions with small inertia and braking resistance, it is recommended to set the gain to 0.

02-10	Torque upper limit source in speed control mode	↗	Factory setting	0
	Setting range	0	Parameter setting	
		1	AVI	
		2	Reserved	
		3	Reserved	
		4	Pulse setting	

02-10	Torque upper limit source in speed control mode		↗	Factory setting	0
	Setting range	5	Communication setting		
		6	Reserved		
		7	Reserved		
		The full scale of the 1-7 option corresponds to 02-07			

In speed control mode, this parameter is used to select the torque upper limit source of the inverter.

02-13	Excitation adjustment proportional gain		↗	Factory setting	2000
	Setting range	0~60000			
02-14	Excitation adjustment integral gain		↗	Factory setting	1300
	Setting range	0~60000			
02-15	Torque adjustment proportional gain		↗	Factory setting	2000
	Setting range	0~60000			
02-16	Torque adjustment integral gain		↗	Factory setting	1300
	Setting range	0~60000			

The vector control PI adjusts the parameter. This parameter is automatically obtained after the asynchronous motor completes self-learning, and generally does not need to be modified.

03 V/f Control Parameters

Group 03 parameters are only valid for V/f control, not for vector control.

03-00	V/f curve setting		↗	Factory setting	0
	Setting range	0	Straight line V/f		
		1	Multi-point V/f		
		2	Square V/f		
		10	V/f complete separation mode		
		11	V/f half separation mode		

0: Straight line V/f. Suitable for ordinary constant torque loads.

1: Multi-point V/f. Suitable for special loads such as dehydrator and centrifuge. By setting 03-03~03-08 parameters, you can get any V/f curve.

2: Square V/f. Suitable for centrifugal loads such as fans and pumps.

10: V/f complete separation mode. At this time, the output frequency of the inverter is independent of the output voltage. The output frequency is determined by the frequency source, and the output voltage is determined by 03-13 (V/f separated voltage source).

This mode is generally used in induction heating, inverter power supply, torque motor control and other occasions.

11: V/f half separation mode. In this mode, V and F are proportional, but the proportional relationship can be set by voltage source 03-13, and the relationship between V and F is also related to the rated voltage and rated frequency of motor group 01.

Assuming that the voltage source input is X (X is a value of 0~100%), the relationship between the output voltage V of the inverter and the frequency F is: $V/f=2 * X * (\text{motor rated voltage})/(\text{motor rated frequency})$

03-01	Torque boost	↗	Factory setting	Type setting
	Setting range	0.0%:(auto-torque boost) 0.1%~30.0%		
03-02	Cut-off frequency of torque boost		Factory setting	50.00Hz
	Setting range	0.00Hz~max frequency		

Torque boosting can improve the low-frequency torque characteristics of V/f and do boost compensation for the output voltage. However, if the torque boost setting is too large, the motor is easily overheated and the inverter is easily overcurrent.

When the torque boost is set to 0.0, the inverter is in automatic torque boost, and the inverter automatically calculates the torque boost value according to the motor stator resistance and other parameters.

Torque boost torque cut-off frequency: Below this frequency, the torque boost is valid, and beyond this set frequency, the torque boost is invalid, as shown in Figure 5-3.

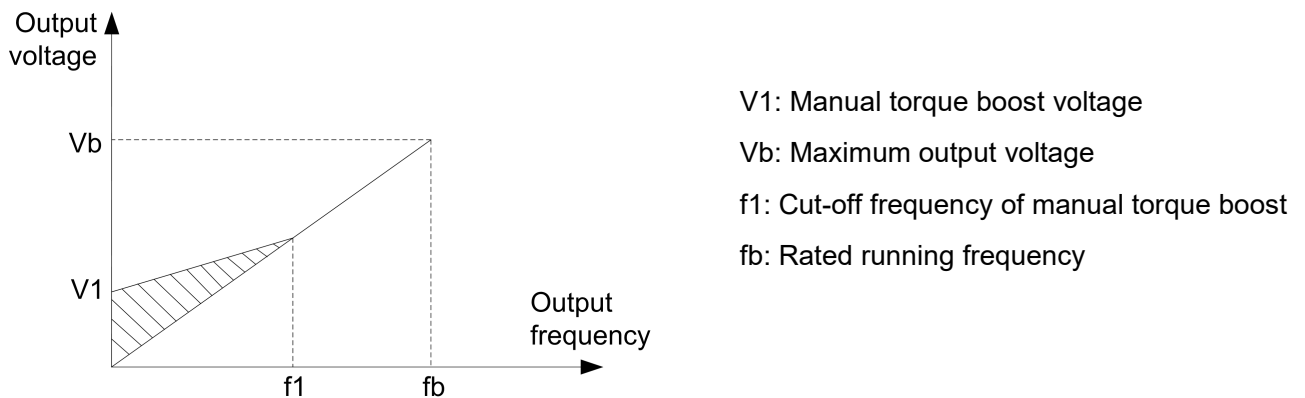


Figure 5-3 Schematic diagram of manual torque boost

03-03	Multi-point V/f frequency point 1		Factory setting	0.00Hz
	Setting range	0.00Hz~03-05		
03-04	Multi-point V/f voltage point 1		Factory setting	0.0%
	Setting range	0.0%~100.0%		
03-05	Multi-point V/f frequency point 2		Factory setting	0.00Hz
	Setting range	03-03~03-07		
03-06	Multi-point V/f voltage point 2		Factory setting	0.0%
	Setting range	0.0%~100.0%		
03-07	Multi-point V/f frequency point 3		Factory setting	0.00Hz
	Setting range	03-05~motor rated frequency(01-03)		
03-08	Multi-point V/f voltage point 3		Factory setting	0.0%
	Setting range	0.0%~100.0%		

Parameters 03-03~03-08 can define multi-segment V/f curve.

The curve of the multi-point V/f should be set according to the load characteristics of the motor. Note that the relationship between the three voltage points and the frequency point must meet: $V1 < V2 < V3$, $F1 < F2 < F3$. Figure 5-4 is a schematic diagram of multi-point V/f curve setting.

If the voltage is set too high at low frequency, the motor may overheat or even burn, and the inverter may be overcurrent stalled or overcurrent protected.

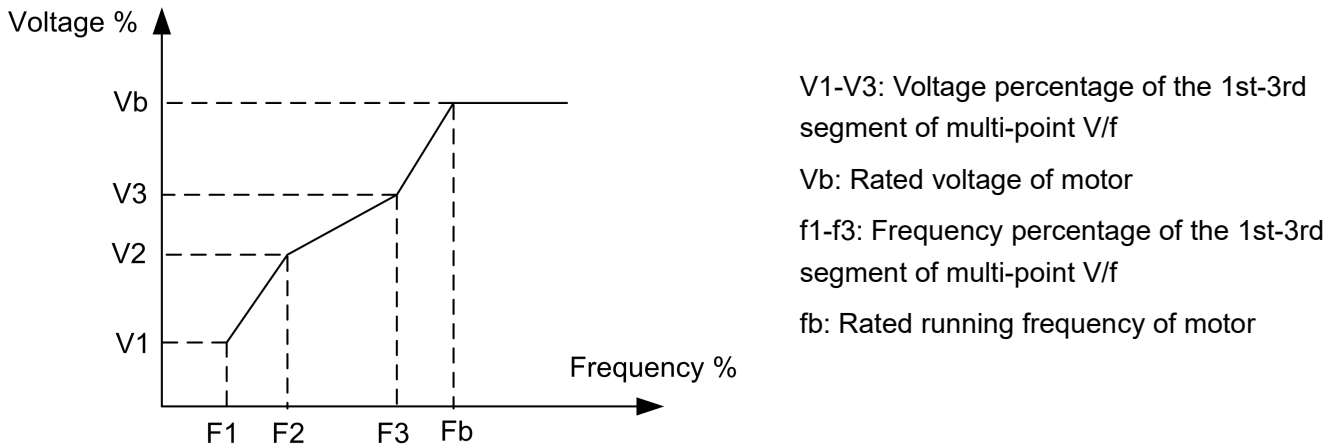


Figure 5-4 Schematic diagram of multi-point V/f curve setting.

03-09	V/f slip compensation gain	↗	Factory setting	0.0%
	Setting range	0.0%~200.0%		

V/f slip compensation can compensate the motor rotation deviation generated by the asynchronous motor when the load increases, so that the motor speed can be basically stabilized when the load changes.

03-10	V/f overexcitation gain	↗	Factory setting	64
	Setting range	0~200		

During the deceleration of the inverter, the overexcitation control can suppress the rise of the bus voltage and avoid overvoltage faults. The greater the gain, the stronger the suppression effect. However, if the overexcitation gain is too large, the output current is likely to increase, and a moderate setting is required. For applications where the inertia is small or the braking resistor is used, the recommended gain is set to zero.

03-11	V/f oscillation suppression gain	↗	Factory setting	Type setting
	Setting range	0~100		

The selection method of the gain is as small as possible under the premise of effectively suppressing the oscillation, so as to avoid adversely affecting the V/f operation. Select this gain to be 0 when there is no oscillation in the motor. It is only necessary to increase the gain appropriately when the motor oscillates significantly. The greater the gain, the more obvious the suppression of the oscillation.

When using the suppression oscillation function, the motor rated current and no-load current parameters are required to be accurate, otherwise the V/f oscillation suppression effect is not good.

03-13	V/f separated voltage source		↗	Factory setting	0
	Setting range	0	Digital setting(03-14)		
		1	AVI		
		2	Reserved		
		3	Reserved		
		4	PULSE setting (MI5)		
		5	Multi-step speed command		
		6	Simple PLC		
		7	PID		
		8	Communication setting		
		Note: 100.0% corresponds to the rated voltage of the motor			
03-14	Voltage digital setting of V/f detached		↗	Factory setting	0V
	Setting range	0V~Motor rated voltage			

V/f detach separation is generally used in applications such as induction heating, inverter power supply and torque motor control.

If V/f separated control is selected, the output voltage can be set by parameter 03-14, or set communication can be given by analog quantity, multi-step speed command, PLC, PID or communication. When a non-numeric setting is selected, 100% of each setting corresponds to the rated voltage of the motor. When the percentage of the output setting such as the analog quantity is negative, the set absolute value is used as the effective setting value.

0.Digital setting (03-14)

Voltage is set by 03-14.

1.AVI

2.Reserved

Voltage is confirmed by analog input terminal.

4.Pulse setting(MI5)

The voltage reference is given by the terminal pulse. Pulse given signal specifications: voltage range 20V ~ 27V, frequency range 0kHz ~ 100kHz.

5.Multi-step speed command

When the voltage source is a multi-speed command, set the 04 group and 05 group parameters to select the correspondence between the given signal and the given voltage.

6. Simple PLC

When the voltage source is a simple PLC, you need to set 05 group of parameters to determine the given output voltage.

7.PID

The output voltage is generated according to the PID closed loop. For details, see 10 group of PID introduction.

8.Communication setting

The voltage is given by the host computer through communication.

When the above voltage source is selected from 1 to 8, 0 to 100% corresponds to the output voltage 0V to the rated voltage of the motor.

03-15	V/f separated voltage rise time	↗	Factory setting	0.0s
	Setting range	0.0s~1000.0s		

The V/f detach rise time refers to the time required for the output voltage to change from 0V to the rated voltage of the motor. As shown in figure 5-5:

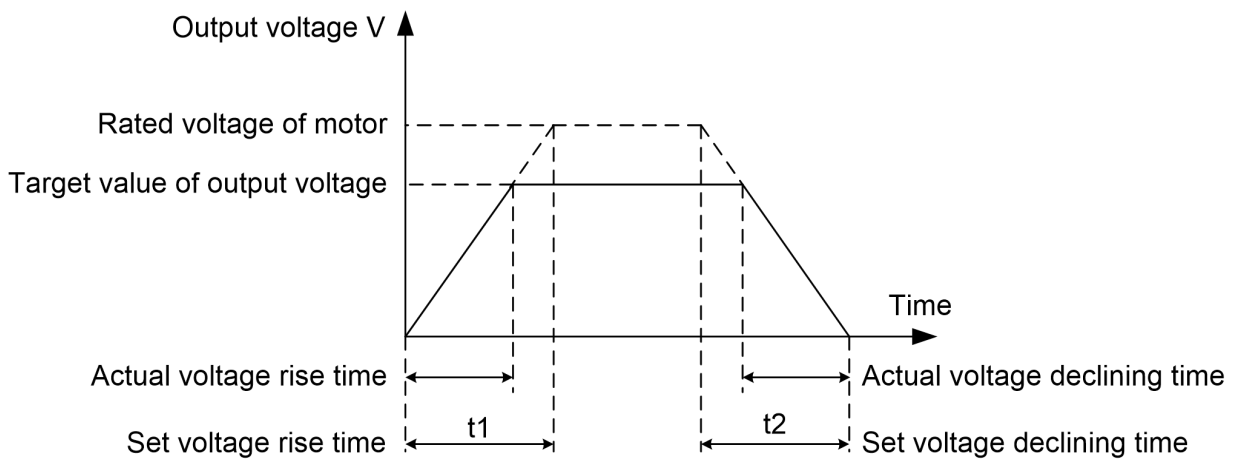


Figure 5-5 V/f detach diagram

04 Input Terminal Parameters

04-00	MI1 terminal function selection	Factory setting	1
04-01	MI2 terminal function selection	Factory setting	2
04-02	MI3 terminal function selection	Factory setting	9
04-04	MI5 Terminal function selection(high-speed pulse bulid-in)	Factory setting	0

These parameters are used to set the function of the digital multi-function input terminal Terminal. The functions that can be selected are shown in the following table:

Setting value	Function	Description
0	No function	It is recommended to set the unused terminals to "no function" to prevent malfunction.
1	Forward running(FWD)	Control inverter forward and reverse running through external terminals.
2	Reverse running(REV)	
3	Three-wire control	This terminal is used to determine the inverter operation mode is the three-wire control mode. For details, please refer to the description of parameter 04-09 (terminal command mode).
4	Forward jog(FJOG)	Jog running frequency, jog acceleration and deceleration time, see the description of parameters 09-00, 09-01, 09-02.
5	Reverse jog(RJOG)	
6	Terminal UP	The frequency increment and decrement instructions are modified when the frequency is given by the external terminal. When the frequency source is set to digital setting, the set frequency can be adjusted up and down.
7	Terminal DOWN	
8	Coast to stop	The inverter blocks the output, and the motor's stopping process is not controlled by the inverter.

Setting value	Function	Description
9	Fault reset(RESET)	A fault reset can be achieved by using a terminal for fault reset. Same as keyboard RESET.
10	Run pause	The inverter decelerates to stop, but all running parameters are memorized. Such as PLC parameters, wobble frequency parameters, PID parameters. After the terminal signal disappears, the inverter returns to the operating state before stopping.
11	Normally open input for external fault	When the signal is valid, the inverter reports the fault EF and performs fault processing according to the fault protection action mode (details participate in parameters 11-47).
12	Multi-step speed terminal 1	Through the combination of the states of the four terminals, the 16-speed setting or the setting of 16 other commands can be realized. See appendix 1 for details.
13	Multi-step speed terminal 2	
14	Multi-step speed terminal 3	
15	Multi-step speed terminal 4	
16	Acceleration / deceleration time selection terminal 1	Through the four states of the two terminals, four types of acceleration and deceleration time are selected. See Table 2 for details.
17	Acceleration / deceleration time selection terminal 2	
18	Frequency source switching	According to the setting of the frequency source selection parameter (00-17), when switching between two frequency sources is set as the frequency source, the terminal is used to switch between the two frequency sources.
19	UP/DOWN set to clear (terminal, keyboard)	When the frequency is given as digital timing, this terminal can clear the frequency value changed by terminal UP/DOWN or keyboard UP/DOWN, so that the given frequency is restored to the value set by 00-06.
20	Run command switching terminal	When the command source is terminal control (00-00=1), this terminal can switch between terminal control and keyboard control. When the command source is communication control (00-00=2), this terminal can switch between communication control and keyboard control.
21	Acceleration / deceleration prohibited	Ensure that the inverter is not affected by external signals (except the stop command) and maintain the current output frequency.
22	PID Pause	The PID is temporarily disabled, and the inverter maintains the current output frequency.
23	PLC status reset	The PLC pauses during execution, and when running again, you can use this terminal to restore the inverter to the initial state of the simple PLC.
24	Reserved	
25	Counter Input	Count pulse input terminal.
26	Counter reset	Clear the counter status.
27	Length counter input	Input terminal for length counting.

Setting value	Function	Description
28	Length reset	Length clear
29	Reserved	
30	PULSE (pulse) frequency input (only valid for MI5)	MI5 functions as a pulse input terminal.
31	Reserved	
32	Immediate DC braking	When this terminal is valid, the inverter directly switches to the DC braking state
33	Normally closed input for external fault	When this signal is valid, the inverter reports fault EF and stops.
34	Reserved	
35	PID action direction is reversed	When this terminal is valid, the direction of PID action is reversed to the direction set in 10-03.
36	External stop terminal 1	During keyboard control, this terminal can be used to stop the inverter, which is equivalent to the function of the STOP key on the keyboard.
37	Control command switching terminal 2	This function is used to switch between terminal control and communication control.
38	PID integration pause	When this terminal is valid, the PID integral adjustment function is suspended, but other PID adjustments are still effective.
39	Frequency source X and keyboard set frequency switching	When this terminal is valid, the frequency source X is replaced with the frequency given by the keyboard (00-06)
40	Frequency source Y and keyboard set frequency switching	When this terminal is valid, the frequency source Y is replaced with the frequency given by the keyboard (00-06)
41	Reserved	
42	Reserved	
43	PID parameter switching	When the PID parameter switching condition selects the MI terminal (10-18=1), when this terminal is invalid, the PID parameter uses 10-05~10-07; when the terminal is valid, it uses 10-15~10-17;
44	Reserved	
45	Reserved	
46	Reserved	
47	Emergency stop	When this terminal is valid, the inverter stops at the fastest speed, and the current is in the upper limit of the set current during this stop. This function is used to meet the occasions where the inverter needs to stop as soon as possible when the system is in an emergency state.
48	External stop terminal 2	In any command control mode (panel control, terminal control, communication control), the terminal can be used to decelerate the inverter to stop, and the deceleration time is fixed at 4 deceleration time.

Setting value	Function	Description
49	Deceleration DC braking	When this terminal is valid, the inverter decelerates to the initial frequency of DC braking at stop, and then switches to DC braking.
50	Clear the current running time	When this terminal is valid, the timing time of the inverter's current operation is cleared. This function needs to be used in conjunction with the timing operation (09-42) and the current operation time arrival (09-53).

Attached Table 1 Multi-step speed command function description

Four multi-speed command terminals can be combined into 16 states, and these 16 states correspond to 16 command setting values. As shown in Table 1:

K4	K3	K2	K1	Command setting	Corresponding parameters
OFF	OFF	OFF	OFF	Multi-step speed command 0	05-00
OFF	OFF	OFF	ON	Multi-step speed command 1	05-01
OFF	OFF	ON	OFF	Multi-step speed command 2	05-02
OFF	OFF	ON	ON	Multi-step speed command 3	05-03
OFF	ON	OFF	OFF	Multi-step speed command 4	05-04
OFF	ON	OFF	ON	Multi-step speed command 5	05-05
OFF	ON	ON	OFF	Multi-step speed command 6	05-06
OFF	ON	ON	ON	Multi-step speed command 7	05-07
ON	OFF	OFF	OFF	Multi-step speed command 8	05-08
ON	OFF	OFF	ON	Multi-step speed command 9	05-09
ON	OFF	ON	OFF	Multi-step speed command 10	05-10
ON	OFF	ON	ON	Multi-step speed command 11	05-11
ON	ON	OFF	OFF	Multi-step speed command 12	05-12
ON	ON	OFF	ON	Multi-step speed command 13	05-13
ON	ON	ON	OFF	Multi-step speed command 14	05-14
ON	ON	ON	ON	Multi-step speed command 15	05-15

When the frequency source is selected as multi-step speed, the parameters 100.0% of 05-00~05-15 correspond to the maximum frequency max frequency 00-03. Multi-step speed command can not only be used as a multi-step speed function, but also can be used as a given source of PID, or as a voltage source for V/f separation control to meet the needs of switching between different given values.

Attached Table 2 Acceleration and deceleration time terminal function description

Terminal 2	Terminal 1	Acceleration or deceleration time selection	Corresponding parameters
OFF	OFF	Acceleration time 1	00-07,00-08
OFF	ON	Acceleration time 2	09-03,09-04
ON	OFF	Acceleration time 3	09-05,09-06
ON	ON	Acceleration time 4	09-07,09-08

04-08	MI Filter time	⚡	Factory setting	0.010s
	Setting range	0.000s~1.000s		

Set the software filtering time for the terminal state of the MI terminal. If the input terminal of the application occasion is susceptible to interference and cause malfunctions, this parameter can be increased to enhance the anti-interference ability. However, the increase of the filtering time will cause the response of the MI terminal to become slow.

04-09	Terminal command mode	Factory setting	0
	Setting range	0	Two-wire 1
		1	Two-wire 2
		2	Three-wire 1
		3	Three-wire 2

This parameter defines four different ways to control the operation of the inverter through the external terminal Terminal.

0: Two-wire mode 1: This mode is the most commonly used two-wire mode.

Terminal Reverse running is determined by TerminalMlx and Mly.

The terminal terminal function settings are as follows:

Terminal	Setting value	Description
Mlx	1	Forward running(FWD)
Mly	2	Reverse running(REV)

Among them, Mlx and Mly are the multi-function input terminals Terminal of MI1~MI5, the level is effective.

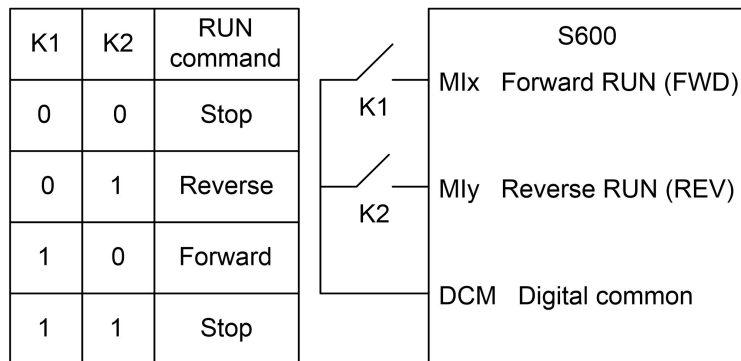


Figure 5-6 Two-wire mode 1

1: Two-wire mode 2: When using this mode, the terminal function of the Mlx terminal is the running enable terminal, and the terminal function of the Mly terminal determines the running direction.

The terminal terminal function settings are as follows:

Terminal	Setting value	Description
Mlx	1	Running command
Mly	2	Forward /Reverse

Among them, Mlx and Mly are the multi-function input terminals Terminal of MI1~MI5, the level is effective.

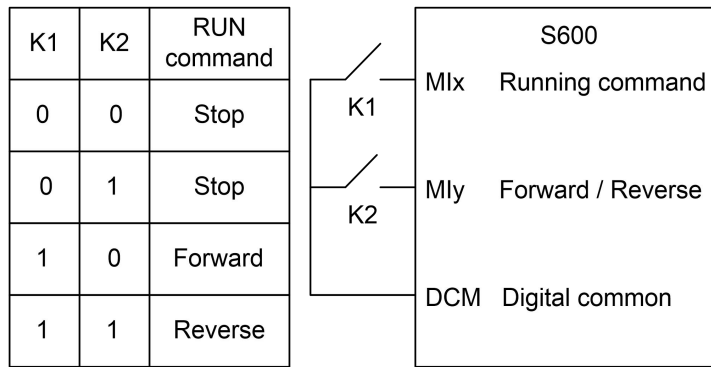


Figure 5-7 Two-wire mode 2

2: Three-wire control mode1: This mode MIn is the enable terminal, the direction is controlled by Mlx and Mly respectively.

The terminal terminal function settings are as follows:

Terminal	Setting value	Description
Mlx	1	Forward running (FWD)
Mly	2	Reverse running (REV)
MIn	3	Three-wire running control

When you need to run, you must first close the MIn terminal, and realize the forward or reverse control of the motor by the rising edge of the pulse of Mlx or Mly.

When it is necessary to stop, it must be achieved by disconnecting the terminal signal of the MIn terminal. Among them, Mlx, Mly, MIn are multi-function input terminals Terminal MI1 ~ MI5, Mlx, Mly are pulse effective, MIn is level effective.

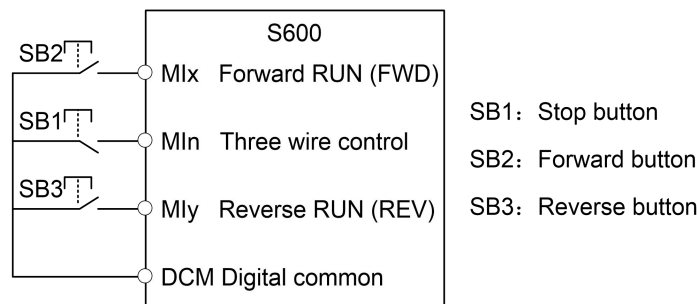


Figure 5-8 Three-wire control mode 1

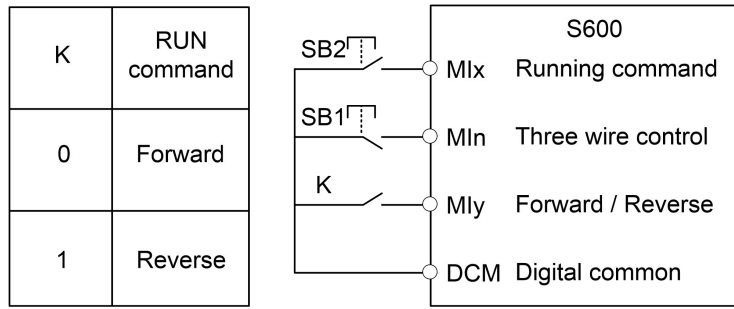
3: Three-wire control mode 2: The enable terminal I in this mode is MIn, the running command is given by Mlx, and the direction is determined by the state of Mly.

The terminal terminal function settings are as follows:

Terminal	Setting value	Description
Mlx	1	Running command
Mly	2	Forward /Reverse
MIn	3	Three-wire running control

When you need to run, you must first close the MIn terminal, the Mlx pulse rising edge generates the motor running signal, and the Mly state generates the motor direction signal.

When it is necessary to stop, it must be achieved by disconnecting the terminal signal of the MIn terminal. Among them, Mlx, Mly, and MIn are the multi-function input terminals of MI1 to MI5, Mlx is pulse effective, and Mly, MIn are level effective.



SB1: Stop button SB2: RUN button

Figure 5-9 Three-wire control mode 2

04-10	Terminal UP/DOWN change rate	↗	Factory setting	1.000Hz/s
	Setting range	0.001Hz/s~65.535Hz/s		

Used to set the terminal UP/DOWN to adjust the set frequency, the speed of frequency change, that is the amount of frequency change per second.

04-11	AVI curve 1 lower limit	↗	Factory setting	0.10V
	Setting range	0.00V~04-13		
04-12	Corresponding setting of AVI curve 1 lower limit	↗	Factory setting	0.0%
	Setting range	-100.0%~+100.0%		
04-13	AVI curve 1 upper limit	↗	Factory setting	10.00V
	Setting range	04-11~+10.00V		
04-14	Corresponding setting of AVI curve 1 upper limit	↗	Factory setting	100.0%
	Setting range	-100.0%~+100.0%		
04-15	AVI filter time	↗	Factory setting	0.10s
	Setting range	0.00s~10.00s		

The relationship between the above parameter analog input voltage and the setting value it represents.

When the analog input voltage exceeds the set range of the maximum input or minimum input, it will be calculated as the maximum input or minimum input.

When the analog input is current input, 0mA~20mA current corresponds to 0V~5V Voltage.

In different applications, the meaning of the nominal value corresponding to 100.0% of the analog setting is different. For details, please refer to the description of each application.

The following illustrations show two typical settings:

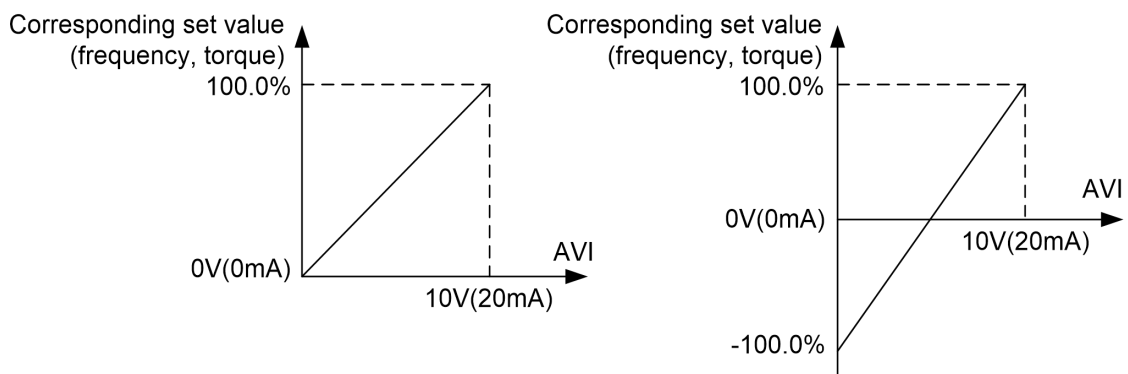


Figure 5-10 Correspondence relationship between analog input and set value

AVI input filter time: adjust the sensitivity of analog input. Properly increasing this value can enhance the anti-interference of the analog quantity, but it will reduce the sensitivity of the analog input.

04-16	AVI curve 2 lower limit	↗	Factory setting	1.00V
	Setting range	0.00V~04-18		
04-17	Corresponding setting of AVI curve 2 lower limit	↗	Factory setting	0.0%
	Setting range	-100.0%~+100.0%		
04-18	AVI curve 2 upper limit	↗	Factory setting	5.00V
	Setting range	04-16~+10.00V		
04-19	Corresponding setting of AVI curve 2 upper limit	↗	Factory setting	100.0%
	Setting range	-100.0%~+100.0%		

For the method of setting AVI curve 2 function, please refer to the description of AVI curve 1.

Analog AVI also can support 0~10V or 0~20mA input. When AVI selects 0~20mA input, the corresponding Voltage of 20mA is 5V.

04-28	Pulse minimum input	↗	Factory setting	0.00kHz
	Setting range	0.00kHz~04-30		
04-29	Corresponding setting of pulse minimum input	↗	Factory setting	0.0%
	Setting range	-100.0%~100.0%		
04-30	Pulse maximum input	↗	Factory setting	50.00kHz
	Setting range	04-28~100.00kHz		
04-31	Corresponding setting of pulse maximum input	↗	Factory setting	100.0%
	Setting range	-100.0%~100.0%		
04-32	PULSE filter time	↗	Factory setting	0.10s
	Setting range	0.00s~10.00s		

This group of parameters is used for setting, the relationship between MI5 pulse frequency and the corresponding setting.

The pulse frequency can only be input to the inverter through the MI5 channel. The application of this group of functions is similar to AVI curve 1, please refer to the description of AVI curve 1.

04-33	AVI curve selection	↗	Factory setting	321
	Setting range	Single digit	AVI curve selection	
		1	AVI curve 1(2 points, refer to 04-11~04-14)	
		2	AVI curve 2(2 points, refer to 04-16~04-19)	
		3	Reserved	
		4	Reserved	
		5	Reserved	
		Tens digital	Reserved	

04-33	AVI curve selection		↗	Factory setting	321
		Hundreds digital	Reserved		

The single digit of this parameter is used to select the setting curve corresponding to analog input AVI.

04-34	AVI is less than the minimum input setting selection		↗	Factory setting	H.000
	Setting range	Single digit	AVI is less than the minimum input setting selection		
		0	Corresponding analog lower limit		
		1	0.0%		
		Tens digital	Reserved		

This parameter is used to select the analog value when the analog input voltage is less than the set "minimum input". The analog lower limit value refers to the less limit value of parameters 04-11 and 04-16.

If the selection is 1, when the AVI input is less than the minimum input, the corresponding setting of the analog quantity is 0.0%.

04-35	MI1 delay time		↗	Factory setting	0.0s
	Setting range	0.0s~3600.0s			
04-36	MI2 delay time		↗	Factory setting	0.0s
	Setting range	0.0s~3600.0s			
04-37	MI3 delay time		↗	Factory setting	0.0s
	Setting range	0.0s~3600.0s			

It is used to set the delay time for the inverter to change the terminal state when the MI terminal changes.

Currently, only MI1, MI2, and MI3 have the function of setting the delay time.

04-38	MI terminal valid mode selection 1		↗	Factory setting	0
	Setting range	0	High level valid		
		1	Low level valid		
		Single digit	MI1		
		Tens digital	MI2		
		Hundreds digital	MI3		
		Thousands digital	Reserved		
		Ten thousands digital	MI5		

Used to set the active status mode of the digital input terminal. When the selection is active high, the corresponding MI terminal is valid when connected to the COM, and the disconnection is invalid. When the selection is active low, the corresponding MI terminal is invalid when it is connected to the COM, and the disconnection is valid.

05 Multi-Speed, Simple PLC Control

The S600's multi-speed command is more abundant than the normal multi-speed. In addition to the multi-speed function, it can also be used as a voltage source for V/f separation and a given source of process PID. For this reason, the dimension of the multi-speed command is a relative value.

05-00	Multi-step speed command 0	↗	Factory setting	0.0%
05-01	Multi-step speed command 1	↗	Factory setting	0.0%
05-02	Multi-step speed command 2	↗	Factory setting	0.0%
05-03	Multi-step speed command 3	↗	Factory setting	0.0%
05-04	Multi-step speed command 4	↗	Factory setting	0.0%
05-05	Multi-step speed command 5	↗	Factory setting	0.0%
05-06	Multi-step speed command 6	↗	Factory setting	0.0%
05-07	Multi-step speed command 7	↗	Factory setting	0.0%
05-08	Multi-step speed command 8	↗	Factory setting	0.0%
05-09	Multi-step speed command 9	↗	Factory setting	0.0%
05-10	Multi-step speed command 10	↗	Factory setting	0.0%
05-11	Multi-step speed command 11	↗	Factory setting	0.0%
05-12	Multi-step speed command 12	↗	Factory setting	0.0%
05-13	Multi-step speed command 13	↗	Factory setting	0.0%
05-14	Multi-step speed command 14	↗	Factory setting	0.0%
05-15	Multi-step speed command 15	↗	Factory setting	0.0%
	Setting range	-100.0%~100.0%		

The multi-speed command can be used in three situations: as a frequency source, as a voltage source for V/f separation, as a set source for the process PID.

In three applications, the dimension of the multi-speed command is relative, ranging from -100.0% to 100.0%. When used as a frequency source, it is a percentage of the relative maximum frequency max frequency; as a V/f separation voltage source, Relative to the percentage of the rated voltage of the motor; and since the PID given is originally a relative value, the multi-speed command does not require dimension conversion as the PID setting source.

The multi-speed command needs to be switched according to the different states of the multi-function input MI. For details, please refer to the 04 group.

05-16	Simple PLC operation mode	↗	Factory setting	0
	Setting range	0	Stop at the end of a single run	
		1	Keep the final value at the end of a single run	
		2	Keep circulating	

The simple PLC function has two functions: as a frequency source or as a voltage source with V/f separation. Figure 5-11 is a schematic diagram of a simple PLC as a frequency source. When the simple PLC is used as the frequency source, the sign of 05-00 ~ 05-15 determines the running direction. If it is a negative value, it indicates that the inverter runs in the opposite direction.

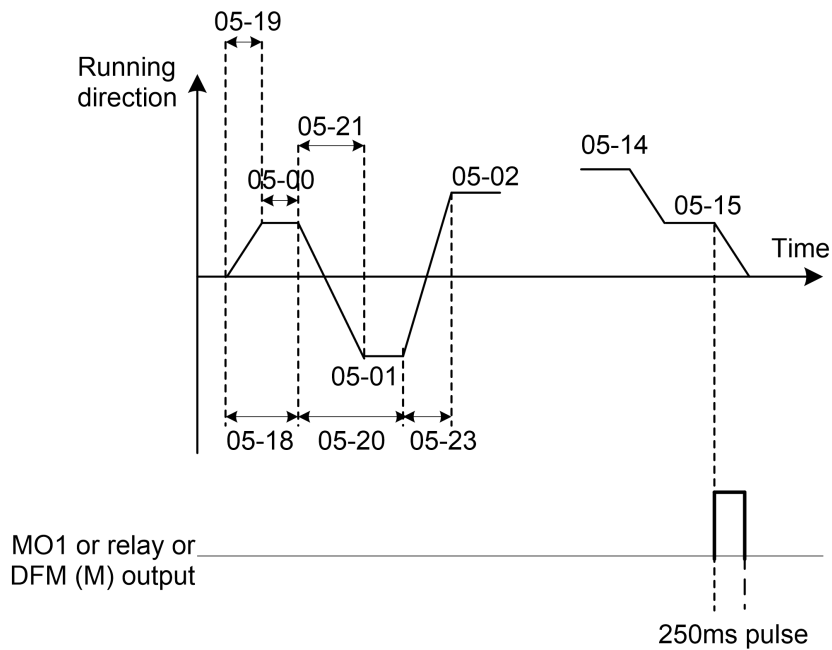


Figure 5-11 Schematic diagram of simple PLC

When used as a frequency source, the PLC has three operating modes, but not as a V/f voltage source. among them:

0: Stop at the end of a single run:

The inverter will automatically stop after completing a single cycle. It needs to give the run command again to start.

1: Keep the final value at the end of a single run:

After the inverter completes a single cycle, it automatically maintains the running frequency and direction of the last segment.

2: Keep circulating:

After the inverter completes one cycle, it automatically starts the next cycle until it stops when there is a stop command.

05-17	Simple PLC power failure memory selection		↗	Factory setting	0
	Setting range	Single digit	Power failure memory selection		
		0	Power failure no memory		
		1	Power failure memory		
		Tens digital	Stop memory selection		
		0	Stop no memory		
		1	Stop memory		

PLC power failure memory refers to memorizing the PLC's running stage and running frequency before power failure. It will continue to operate from the memory stage when it is next powered on. If no memory is selected, the PLC process will be restarted every time the power is turned on.

PLC stop memory is to record the previous PLC running stage and running frequency during stop, and continue to operate from the memory stage during the next operation. If you choose not to remember, the PLC process will be restarted every time you start.

05-18	Simple PLC stage 0 running time	↗	Factory setting	0.0s(h)
	Setting range	0.0s(h)~6500.0s(h)		
05-19	Simple PLC step 0 acceleration / deceleration time selection	↗	Factory setting	0
	Setting range	0~3		
05-20	Simple PLC stage 1 st running time	↗	Factory setting	0.0s(h)
	Setting range	0.0s(h)~6500.0s(h)		
05-21	Simple PLC step 1 st acceleration / deceleration time selection	↗	Factory setting	0
	Setting range	0~3		
05-22	Simple PLC stage 2 nd running time	↗	Factory setting	0.0s(h)
	Setting range	0.0s(h)~6500.0s(h)		
05-23	Simple PLC step 2 nd acceleration / deceleration time selection	↗	Factory setting	0
	Setting range	0~3		
05-24	Simple PLC stage 3 rd running time	↗	Factory setting	0.0s(h)
	Setting range	0.0s(h)~6500.0s(h)		
05-25	Simple PLC step 3 rd acceleration / deceleration time selection	↗	Factory setting	0
	Setting range	0~3		
05-26	Simple PLC stage 4 th running time	↗	Factory setting	0.0s(h)
	Setting range	0.0s(h)~6500.0s(h)		
05-27	Simple PLC step 4 th acceleration / deceleration time selection	↗	Factory setting	0
	Setting range	0~3		
05-28	Simple PLC stage 5 th running time	↗	Factory setting	0.0s(h)
	Setting range	0.0s(h)~6500.0s(h)		
05-29	Simple PLC step 5 th acceleration / deceleration time selection	↗	Factory setting	0
	Setting range	0~3		
05-30	Simple PLC stage 6 th running time	↗	Factory setting	0.0s(h)
	Setting range	0.0s(h)~6500.0s(h)		
05-31	Simple PLC step 6 th acceleration / deceleration time selection	↗	Factory setting	0
	Setting range	0~3		
05-32	Simple PLC stage 7 th running time	↗	Factory setting	0.0s(h)
	Setting range	0.0s(h)~6500.0s(h)		
05-33	Simple PLC step 7 th acceleration / deceleration time selection	↗	Factory setting	0
	Setting range	0~3		
05-34	Simple PLC stage 8 th running time	↗	Factory setting	0.0s(h)
	Setting range	0.0s(h)~6500.0s(h)		
05-35	Simple PLC step 8 th acceleration / deceleration time selection	↗	Factory setting	0
	Setting range	0~3		

05-36	Simple PLC stage 9 th running time	↗	Factory setting	0.0s(h)
	Setting range	0.0s(h)~6500.0s(h)		
05-37	Simple PLC step 9 th acceleration / deceleration time selection	↗	Factory setting	0
	Setting range	0~3		
05-38	Simple PLC stage 10 th running time	↗	Factory setting	0.0s(h)
	Setting range	0.0s(h)~6500.0s(h)		
05-39	Simple PLC step 10 th acceleration / deceleration time selection	↗	Factory setting	0
	Setting range	0~3		
05-40	Simple PLC stage 11 th running time	↗	Factory setting	0.0s(h)
	Setting range	0.0s(h)~6500.0s(h)		
05-41	Simple PLC step 11 th acceleration / deceleration time selection	↗	Factory setting	0
	Setting range	0~3		
05-42	Simple PLC stage 12 th running time	↗	Factory setting	0.0s(h)
	Setting range	0.0s(h)~6500.0s(h)		
05-43	Simple PLC step 12 th acceleration / deceleration time selection	↗	Factory setting	0
	Setting range	0~3		
05-44	Simple PLC stage 13 th running time	↗	Factory setting	0.0s(h)
	Setting range	0.0s(h)~6500.0s(h)		
05-45	Simple PLC step 13 th acceleration / deceleration time selection	↗	Factory setting	0
	Setting range	0~3		
05-46	Simple PLC stage 14 th running time	↗	Factory setting	0.0s(h)
	Setting range	0.0s(h)~6500.0s(h)		
05-47	Simple PLC step 14 th acceleration / deceleration time selection	↗	Factory setting	0
	Setting range	0~3		
05-48	Simple PLC stage 15 th running time	↗	Factory setting	0.0s(h)
	Setting range	0.0s(h)~6500.0s(h)		

05-49	Simple PLC step 15 th acceleration / deceleration time selection	↗	Factory setting	0
	Setting range	0~3		

05-50	Simple PLC running time unit	↗	Factory setting	0
	Setting range	0	s(Second)	
		1	h(Hour)	

This parameter determines the given channel of Multi-step speed command 0.

06 Output Terminal Parameters

06-01	Control board relay function selection(RA-RC)	↗	Factory setting	2
-------	---	---	-----------------	---

The function descriptions of the multi-function output terminals are as follows:

Setting value	Function	Description
0	No output	Output terminal is invalid
1	Inverter is running	Indicates that the inverter is in running state and has an output frequency (which can be zero), at this time it outputs an ON signal
2	Fault output (stop)	When the inverter is faulty and the fault is stopped, the ON signal is output.
3	Frequency level detection FDT1 output	Please refer to the parameters 09-19,09-20
4	Frequency reached	Please refer to the parameters 09-21
5	Running at zero speed (No output when stopped)	When the inverter is running and the output frequency is 0, the ON signal is output. When the inverter is stopped, this signal is OFF.
6	Motor overload pre-alarm	Before the overload protection action of the motor, the judgment is based on the threshold value of the overload pre-alarm, and the ON signal is output after the pre-alarm threshold is exceeded. Refer to parameters 11-00~11-02 for motor overload parameter setting.
7	Inverter overload pre-alarm	10s before the inverter overload protection occurs, output ON signal.
8	Set count value reached	When the count value reaches the value set in 13-08, the ON signal is output.
9	Designated count value reached	When the count value C reaches the value set in 13-09, the ON signal is output. For counting function, please refer to 13 groups of function description
10	Length reached	When the detected actual length exceeds the length set by 13-05, the ON signal is output.
11	PLC cycle completed	When the simple PLC completes one cycle of operation, it outputs a pulse signal with a width of 250ms.
12	Cumulative running time arrived	When the cumulative running time of the inverter exceeds the time set in 09-17, it outputs an ON signal.
13	Frequency limited	When the set frequency exceeds the upper limit frequency or lower limit frequency, and the output frequency of the inverter reaches the upper limit frequency or lower limit frequency, an ON signal is output.
14	Torque limited	In the speed control mode of the frequency converter, when the output torque reaches the torque limit value, the frequency converter is in the stall protection state and outputs an ON signal at the same time.
15	Ready for run	When the power supply of the main circuit and the control circuit of the inverter has stabilized, and the inverter has not detected any fault information, and the inverter is in a operable state, it outputs an ON signal.

Setting value	Function	Description
16	Reserved	
17	Upper limit frequency reached	When the running frequency reaches the upper limit frequency, the ON signal is output.
18	Lower limit frequency reached (operation valid)	When the running frequency reaches the lower limit frequency, the ON signal is output. The output is OFF in the stop state.
19	Undervoltage state output	When the inverter is undervoltage state, it outputs ON signal.
20	Communication setting	Please refer to the communication protocol.
21	Reserved	Reserved
22	Reserved	Reserved
23	Zero speed running 2 (also output when stopped)	When the output frequency of the inverter is 0, the ON signal is output. This signal is also ON in the stop state.
24	Cumulative power-on time arrival	When the cumulative power-on time (08-13) of the inverter exceeds the set time of 09-16, it outputs an ON signal.
25	Frequency level detection FDT2 output	Please refer to the parameters 09-28,09-29
26	Frequency 1 reaches the output	Please refer to the parameters 09-30,09-31
27	Frequency 2 reaches the output	Please refer to the parameters 09-32,09-33
28	Current 1 reaches the output	Please refer to the parameters 09-38,09-39
29	Current 2 reaches the output	Please refer to the parameters 09-40,09-41
30	Timing reached	When the timing function selection (09-42) is valid, the inverter will output an ON signal after the current running time of the inverter reaches the set time.
31	AVI input exceeds limit	When the value of analog input AVI is greater than 09-46 (AVI input protection upper limit) or less than 09-45 (AVI input protection lower limit), ON signal is output.
32	Reserved	Reserved
33	Reverse running	When the inverter is running in reverse, output ON signal
34	Zero current state	Please refer to the parameters 09-34,09-35
35	Module temperature reached	Inverter module radiator temperature (08-08) reaches the set module temperature reached value(09-47), output ON signal
36	Software current limit exceeded	Please refer to the parameters 09-36,09-37
37	Lower limit frequency reached (also output when stopped)	When the running frequency reaches the lower limit frequency, the ON signal is output. The signal is also ON in the stop state.
38	Warning output	When the inverter fails, and the fault handling mode is Continue to run, the inverter warning output.
39	Reserved	Reserved
40	Current running time reached	When the inverter's current running time exceeds the time set in 09-53, it outputs an ON signal.

06-07	AFM output function selection	↗	Factory setting	0
--------------	-------------------------------	---	-----------------	---

DFM (P) terminal output pulse frequency range is 0.01kHz ~ 06-09 (DFM (P) output maximum frequency), 06-09 can be set between 0.01kHz ~ 100.00kHz.

Analog output AFM output range is 0V ~ 10V. The relationship between the range of pulse output or analog output and the scaling of corresponding functions is shown in the following table:

Setting value	Function	Pulse or analog output 0.0%~100.0% corresponding function
0	Running frequency	0 to max output frequency
1	Set frequency	0 to max output frequency
2	Output current	0 to 2 times of motor rated current
3	Output torque	0 to 2 times of motor rated torque
4	Output power	0 to 2 times rated power
5	Output voltage	0 to 1.2 times of inverter rated voltage
6	PULSE input	0.01kHz~100.00kHz
7	AVI	0V~10V
8	Reserved	
9	Reserved	
10	Length	0 to maximum set length
11	Count value	0 to maximum count value
12	Communication setting	0.0%~100.0%
13	Motor rotation speed	0~The rotation speed corresponding to maximum output frequency
14	Output current	0.0A~1000.0A
15	BUS voltage	0.0V~1000.0V

06-10	AFM zero offset coefficient	↗	Factory setting	0.0%
	Setting range	-100.0% ~+100.0%		
06-11	AFM gain	↗	Factory setting	1.00
	Setting range	-10.00 ~+10.00		

The above parameters are generally used to correct the zero drift of the analog output and the deviation of the output amplitude. It can also be used to customize the desired AFM output curve.

If the zero offset is represented by "b", the gain is represented by k, the actual output is represented by Y, and the standard output is represented by X, then the actual output is:

$Y=kX+b$. Among them, the zero deviation coefficient of AFM 100% corresponds to 10V, the standard output refers to the amount of 0V ~ 10V corresponding to the analog output without zero deviation and gain correction.

06-18	Relay RA-RC output delay time	↗	Factory setting	0.0s
--------------	-------------------------------	---	-----------------	------

Set the delay time for the output terminal Terminal to change from the state to the actual output.

07 Start and Stop Control Parameters

07-01	Startup frequency		↗	Factory setting	0.50Hz
	Setting range	0.00Hz~50.00Hz			
07-02	Startup frequency holding time			Factory setting	0.0s
	Setting range	0.0s~100.0s			

The inverter starts to run from the startup frequency (07-01), after the startup frequency holding time (07-02), then accelerates to the target frequency according to the set acceleration time.

The startup frequency 07-01 is not limited by the lower limit frequency. However, when the set target frequency is less than the startup frequency, the inverter does not start and is in a standby state.

During the switching between forward and reverse rotation, the startup frequency holding time has no effect. The startup frequency holding time is not included in the acceleration time, but included in the running time of the simple PLC.

07-03	Startup DC braking current / pre-excitation current			Factory setting	0%
	Setting range	0%~100%			
07-04	Startup DC braking time/pre-excitation time			Factory setting	0.0s
	Setting range	0.0s~100.0s			

Startup DC braking is only effective when the starting mode is direct start. At this time, the inverter performs DC braking according to the set startup DC braking current, and then starts running after the startup DC braking time. If the DC braking time is set to 0, DC braking is invalid. The greater the DC braking current, the greater the braking force.

If the startup mode is asynchronous motor pre-excitation start, the inverter first establishes the magnetic field according to the set pre-excitation current, and then starts running after the pre-excitation time.

If the pre-excitation time is set to 0, the pre-excitation is invalid and starts directly.

The startup DC braking current/pre-excitation current is a percentage of the rated current of the inverter.

07-05	Stop mode		↗	Factory setting	0
	Setting range	0	Decelerate to stop		
		1	Coast to stop		

0: Decelerate to stop after the stop command is valid, the inverter reduces the output frequency according to the deceleration time, and stops after the frequency drops to 0.

1: After the coast stop command is valid, the inverter immediately terminates the output, and the motor coasts to stop according to the mechanical inertia.

07-06	Starting frequency of DC braking at stop		↗	Factory setting	0.00Hz
	Setting range	0.00Hz~Max frequency			
07-07	DC braking waiting time at stop		↗	Factory setting	0.0s
	Setting range	0.0s~100.0s			
07-08	DC braking current at stop		↗	Factory setting	30%
	Setting range	0%~100%			

07-09	DC braking time at stop	⚡	Factory setting	0.0s
	Setting range	0.0s~100.0s		

Starting frequency of DC braking at stop: When the running frequency is reduced to this frequency during deceleration to stop, the DC braking process starts.

Waiting time for DC braking at stop: After the running frequency is reduced to the initial frequency of DC braking at stop, the inverter will stop output for a period of time before starting the DC braking process. It is used to prevent overcurrent and other faults that may be caused by starting DC braking at a higher speed.

DC braking current at stop: refers to the output current Output current during DC braking, as a percentage of the motor rated current. The larger the value, the stronger the braking, but the greater the heat generated by the motor and inverter.

DC braking time at stop: The time the DC braking amount is maintained. This value is 0, the DC braking process is canceled. The DC braking process during shutdown is shown in the schematic diagram in Figure 5-12.

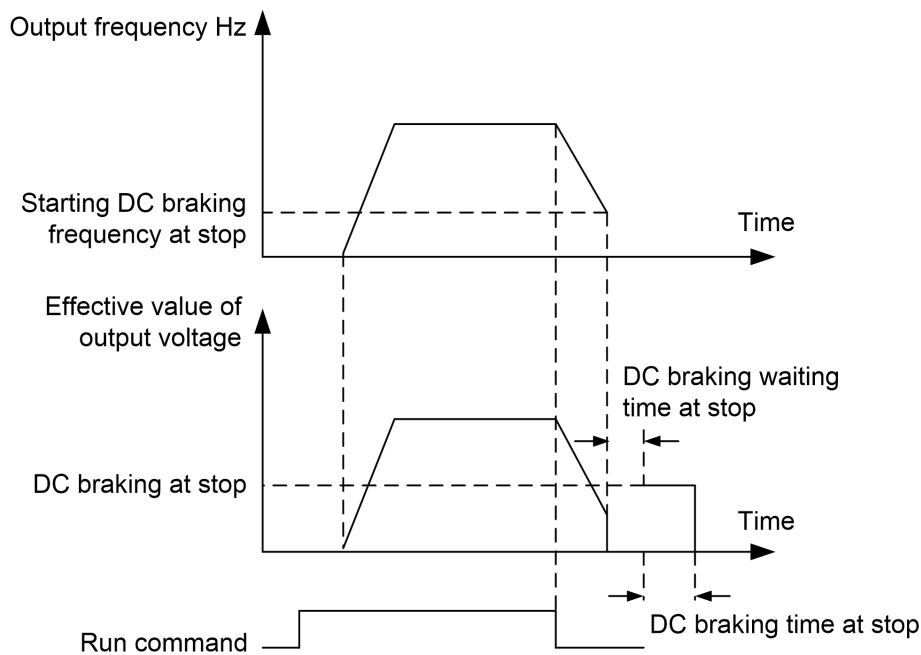


Figure 5-12 Schematic diagram of DC braking at shutdown

07-10	Brake usage	⚡	Factory setting	80.0%
	Setting range	0.0%~100.0%		

It is only valid for the inverter with built-in braking unit.

The higher the braking usage rate, the stronger the braking effect, but the voltage fluctuation of the inverter bus voltage during braking is large.

07-11	Acceleration and deceleration mode	Factory setting	0
	Setting range	0	Linear acceleration / deceleration
		1	S curve acceleration / deceleration A
		2	S curve acceleration / deceleration B

Select the frequency change method of the inverter during start and stop.

0: linear acceleration and deceleration

The output frequency increases or decreases in a straight line. 4 kinds of acceleration/deceleration time can be selected through multi-function digital input terminals (04-00~04-04).

1: S curve acceleration and deceleration A

The output frequency increases or decreases according to the S curve. The S curve is used in places that require gentle start or stop, such as elevators and conveyor belts. Parameters 07-12 and 07-13 respectively define the time proportion of the start and end segments of the S curve acceleration and deceleration.

2: S curve acceleration and deceleration B

In this S curve acceleration/deceleration B, the rated frequency of the motor is always the inflection point of the S curve. As shown in Figure 5-14. It is generally used in high-speed areas above the rated frequency that require rapid acceleration and deceleration.

When the set frequency is above the rated frequency, the acceleration/deceleration time is:

$$f = \left(\frac{4}{9} \times \left(\frac{f}{f_b} \right)^2 + \frac{5}{9} \right) \times T$$

Among them, f is the set frequency, fb is the rated frequency of the motor, and T is the time from 0 frequency acceleration to the rated frequency fb.

07-12	S curve start time ratio		Factory setting	30.0%
	Setting range	0.0%~(100.0%-07-13)		
07-13	S curve end time ratio		Factory setting	30.0%
	Setting range	0.0%~(100.0%-07-12)		

Parameters 07-12 and 07-13 respectively define the start and end time ratios of the acceleration and deceleration A of the S curve. The two parameters must meet: 07-12 + 07-13 ≤ 100.0%.

In Figure 5-13, t1 is the parameter defined by parameter 07-12. During this period of time, the slope of the output frequency change gradually increases. t2 is the time defined by parameter 07-13. During this time period, the slope of the output frequency change gradually changes to 0.

During the time between t1 and t2, the slope of the output frequency change is fixed, that is, linear acceleration and deceleration are performed in this interval.

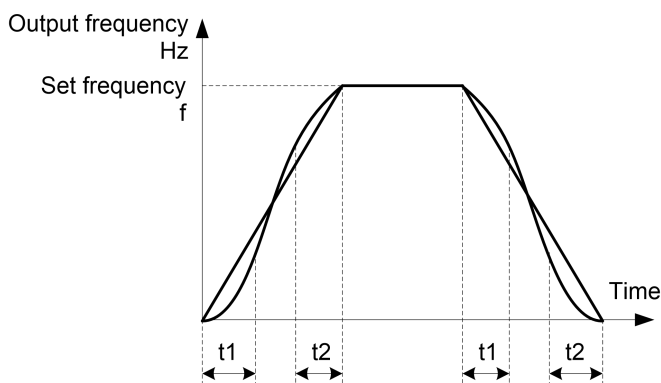


Figure 5-13 S curve acceleration and deceleration A

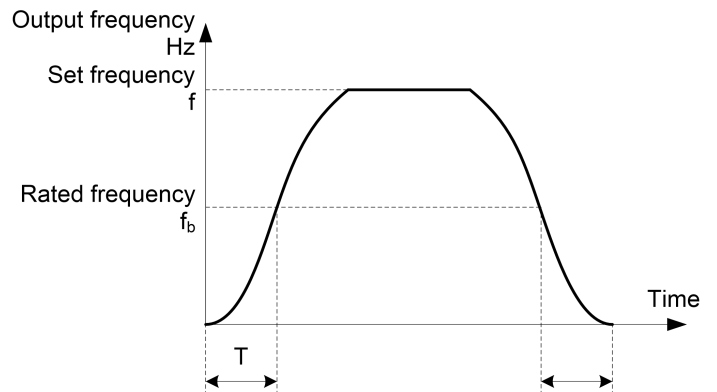


Figure 5-14 S curve acceleration and deceleration B

08 Man-machine Interface Parameters

08-00	User password	↗	Factory setting	0
	Setting range	0~65535		

08-00 sets any non-zero number, the password protection function takes effect. The next time you enter the menu, you must enter the password correctly, otherwise you cannot view and modify the function parameters, please remember the set user password.

Set 08-00 to 00000, then clear the set user password and invalidate the password protection function.

08-02	STOP/RESET key function	↗	Factory setting	0
	Setting range	0	Only in the keyboard operation mode, the STOP/RESET key stop function is effective	
		1	In any operation mode, the STOP/RESET key stop function is effective	

08-03	LED operation display parameter 1	↗	Factory setting	H.001F
	Setting range	0000~FFFF		
		Bit00	Running frequency1(Hz)	
		Bit01	Output current(A)	
		Bit02	BUS Voltage(V)	
		Bit03	Output voltage(V)	
		Bit04	Setting frequency(Hz)	
		Bit05	Output power(kW)	
		Bit06	Output torque(%)	
		Bit07	MI input status	
		Bit08	MO output status	
		Bit09	AVI voltage(V)	
		Bit10	Reserved	
		Bit11	Reserved	
		Bit12	Count value	
		Bit13	Length	
		Bit14	Load speed	
	Bit15	PID setting		
	If the above parameters need to be displayed during operation, set the corresponding position to 1, set the binary number to hexadecimal and set it to 08-03.			

08-04	LED operation display parameter 2	↗	Factory setting	H.0000
	Setting range	0000~FFFF		
		Bit00	PID feedback	
		Bit01	PLC stage	
		Bit02	PULSE input pulse frequency(kHz)	

08-04	LED operation display parameter 2	↗	Factory setting	H.0000
		Bit03	Running frequency 2(Hz)	
		Bit04	Remaining running time	
		Bit05	Reserved	
		Bit06	Reserved	
		Bit07	Reserved	
		Bit08	Line speed	
		Bit09	Current power-on time(Hour)	
		Bit10	Current running time(Min)	
		Bit11	PULSE Input pulse frequency(Hz)	
		Bit12	Communication setting value	
		Bit13	Reserved	
		Bit14	Main frequency X display (Hz)	
		Bit15	Auxiliary frequency Y display (Hz)	
		If the above parameters need to be displayed during operation, set the corresponding position to 1, set the binary number to hexadecimal and set it to 08-04.		

Running display parameters are used to set the parameters that can be viewed when the inverter is in running state.

The maximum number of status parameters available for viewing is 32, and the status parameters to be displayed are selected according to the binary bits of the 08-03 and 08-04 parameter values. The display order starts from the lowest bit of 08-03.

08-05	LED shutdown display parameters	↗	Factory setting	H.0003
	Setting range	0000~FFFF		
		Bit00	Setting frequency(Hz)	
		Bit01	BUS voltage(V)	
		Bit02	MI input status	
		Bit03	MO output status	
		Bit04	AVI voltage(V)	
		Bit05	Reserved	
		Bit06	Reserved	
		Bit07	Count value	
		Bit08	Length	
		Bit09	PLC stage	
		Bit10	Load speed	
		Bit11	PID setting	
		Bit12	PULSE input pulse frequency(kHz)	
If the above parameters need to be displayed during operation, set the corresponding position to 1, set the binary number to hexadecimal and set it to 08-05.				

08-06	Load speed display coefficient	↗	Factory setting	1.0000
	Setting range	0.0001~6.5000		

When the load speed Load speed needs to be displayed, this parameter is used to adjust the corresponding relationship between the inverter output frequency and the load speed Load speed. Refer to the instructions of 08-12.

08-08	Inverter module radiator temperature		Factory setting	-
	Setting range	0.0°C~100.0°C		

Displays the temperature of the inverter module IGBT.

Different types of inverter modules have different IGBT over-temperature protection values.

08-10	Software version No.		Factory setting	-
-------	----------------------	--	-----------------	---

08-11	Cumulative running time		Factory setting	-
	Setting range	0h~65535h		

Cumulative running time of the inverter is displayed. When the running time reaches the set running time 09-17, the inverter's multi-function digital output function (12) outputs an ON signal.

08-12	Load speed display the number of decimal places	↗	Factory setting	20
	Setting range	Units: Number of decimal places for load speed		
		Tens place: Reserved		
		0	0 decimal place	
		1	1 decimal place	
		2	2 decimal places	
		3	3 decimal places	

Used to set the number of decimal places for load speed display.

The following example illustrates the calculation method of load speed: If the load speed display coefficient 08-06 is 2.000, the load speed decimal point number 08-12 is 2 (2 decimal points), when the inverter running frequency is 40.00Hz, the load speed is: $40.00 \times 2.000 = 80.00$ (2 decimal points display)

If the inverter is in a stopped state, the load speed is displayed as the speed corresponding to the setting frequency, that is, "set load speed". Taking the set frequency of 50.00Hz as an example, the load speed in the stop state is: $50.00 \times 2.000 = 100.00$ (2 decimal places display)

08-13	Cumulative power-on time		Factory setting	-
-------	--------------------------	--	-----------------	---

Shows the cumulative power-on time of the inverter since the factory.

When this time reaches the set power-on time (09-17), the inverter's multi-function digital output function (24) outputs an ON signal.

08-14	Cumulative power consumption		Factory setting	-
	Setting range	0~65535 degree		

Displays the cumulative power consumption of the inverter so far

09 Accessibility Parameters

09-00	Jog running frequency	↗	Factory setting	5.00Hz
	Setting range	0.00Hz~Max frequency		
09-01	Jog acceleration time	↗	Factory setting	20.0s
	Setting range	0.0s~6500.0s		
09-02	Jog deceleration time	↗	Factory setting	20.0s
	Setting range	0.0s~6500.0s		

Define the given frequency and acceleration/deceleration time of the inverter when jogging.

During jog operation, the start mode is fixed to the direct start mode (07-00=0), and the stop mode is fixed to the deceleration stop (07-05=0).

09-03	Acceleration time 2	↗	Factory setting	Type setting
09-04	Deceleration time 2	↗	Factory setting	Type setting
09-05	Acceleration time 3	↗	Factory setting	Type setting
09-06	Deceleration time 3	↗	Factory setting	Type setting
09-07	Acceleration time 4	↗	Factory setting	Type setting
09-08	Deceleration time 4	↗	Factory setting	Type setting
	Setting range	0.0s~6500.0s		

S600 provides 4 groups of acceleration and deceleration time, respectively 00-07/00-08 and the above 3 groups of acceleration and deceleration time.

The definitions of the 4 groups of acceleration and deceleration times are exactly the same, please refer to the relevant descriptions of 00-07 and 00-08. Through different combinations of multi-function digital input terminals MI, you can switch to select 4 groups of acceleration and deceleration time. For specific usage, please refer to the relevant descriptions in parameters 04-00~04-04.

09-09	Jump frequency 1	↗	Factory setting	0.00Hz
	Setting range	0.00Hz~Max frequency		
09-10	Jump frequency 2	↗	Factory setting	0.00Hz
	Setting range	0.00Hz~Max frequency		
09-11	Jump frequency amplitude	↗	Factory setting	0.00Hz
	Setting range	0.00Hz~Max frequency		

When the set frequency is within the range of the jump frequency, the actual operating frequency will run at the jump frequency closer to the set frequency. By setting the jump frequency, the inverter can avoid the mechanical resonance point of the load.

The S600 can set two jump frequency points. If both jump frequencies are set to 0, the jump frequency function is cancelled. Please refer to Figure 5-15 for the principle of jump frequency and jump frequency amplitude.

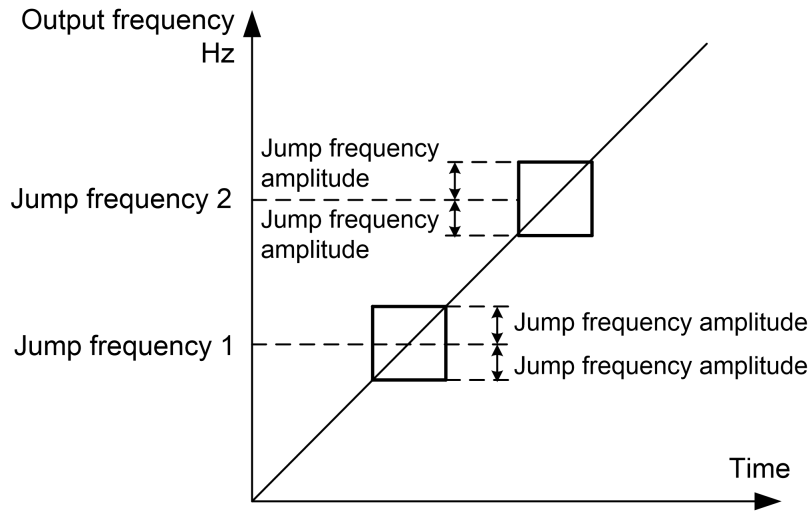


Figure 5-15 Schematic diagram of jumping frequency

09-12	Forward and reverse dead time	↗	Factory setting	0.0s
	Setting range	0.00s~3000.0s		

Set the transition time at the output 0Hz during the inverter forward and reverse transition, as shown in Figure 5-16:

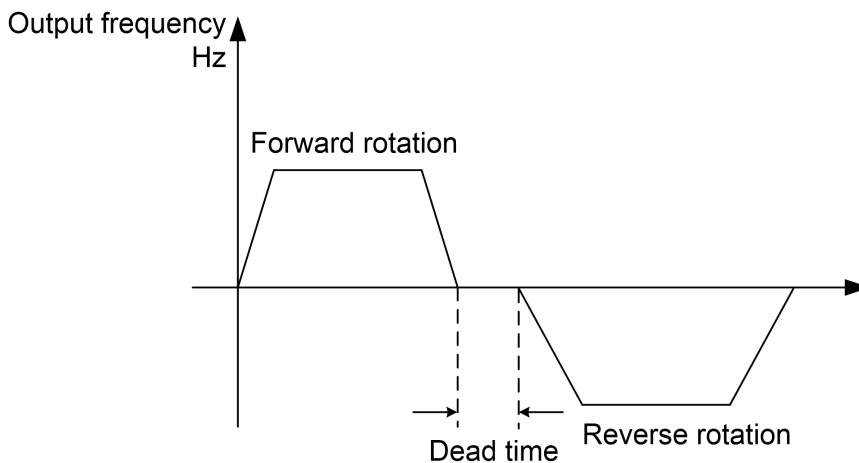


Figure 5-16 Schematic diagram of forward and reverse dead time

09-13	Reverse control enable	↗	Factory setting	0
	Setting range	0	Enabled	
		1	Disabled	

Use this parameter to set the inverter to set 09-13=1 when the motor is not allowed to reverse.

09-14	Operating mode with set frequency lower than lower limit frequency	↗	Factory setting	0
	Setting range	0	Run at the lower limit frequency	
		1	Downtime	
		2	Zero speed operation	

When the set frequency is lower than the lower limit frequency, the running state of the inverter can be selected by this parameter. S600 provides three operating modes to meet various application requirements.

09-15	Drop control	↗	Factory setting	0.00Hz
	Setting range	0.00Hz~10.00Hz		

Refers to the output frequency drop value when the inverter is outputting the rated load. This function is generally used for load distribution when multiple motors drag the same load.

The droop control means that as the load increases, the output frequency of the inverter decreases, so that when multiple motors drag the same load, the output frequency of the motor in the load decreases more, which can reduce the load of the motor and realize the The load is even.

09-16	Set cumulative power-on arrival time	↗	Factory setting	0h
	Setting range	0h~65000h		

When the cumulative power-on time (08-13) reaches the power-on time set in 09-16, the inverter's multi-function output terminal Terminal (function 24) turns on.

09-17	Set cumulative running arrival time	↗	Factory setting	0h
	Setting range	0h~65000h		

Used to set the running time of the inverter.

When the accumulated running time (08-11) reaches this set running time, the inverter's multi-function output terminal Terminal (function 12) turns on.

09-18	Power-on operation protection options	↗	Factory setting	1
	Setting range	0	Run command is valid when power on	
		1	Run command is invalid when power on	

The parameter is 1, if the running command is valid when the inverter is powered on (such as the terminal running command is closed before powering on), the inverter does not respond to the running command, and the running command must be canceled once before the inverter is valid again response.

In addition, if this parameter is set to 1, if the running command is valid at the time of inverter fault reset, the inverter will not respond to the running command, and the running command must be removed before the running protection state can be eliminated.

Setting this parameter to 1 can prevent the danger caused by the motor responding to the running command when the power is turned on or the fault is reset without knowing it.

09-19	Frequency detection value(FDT1)	↗	Factory setting	50.00Hz
	Setting range	0.00Hz~Max frequency		
09-20	Frequency detection hysteresis(FDT1)	↗	Factory setting	5.0%
	Setting range	0.0%~100.0%(FDT1 Level)		

When the running frequency is greater than or equal to the frequency detection value, the inverter's multi-function output terminal (function 3) outputs an ON signal. When the frequency is lower than the detection value by a certain frequency value, the output ON signal is canceled.

The above parameters are used to set the detection value of the output frequency and the hysteresis value of the output operation release. Where 09-20 is the percentage of the hysteresis frequency relative to the frequency detection value 09-19. Figure 5-17 is a schematic diagram of the FDT function.

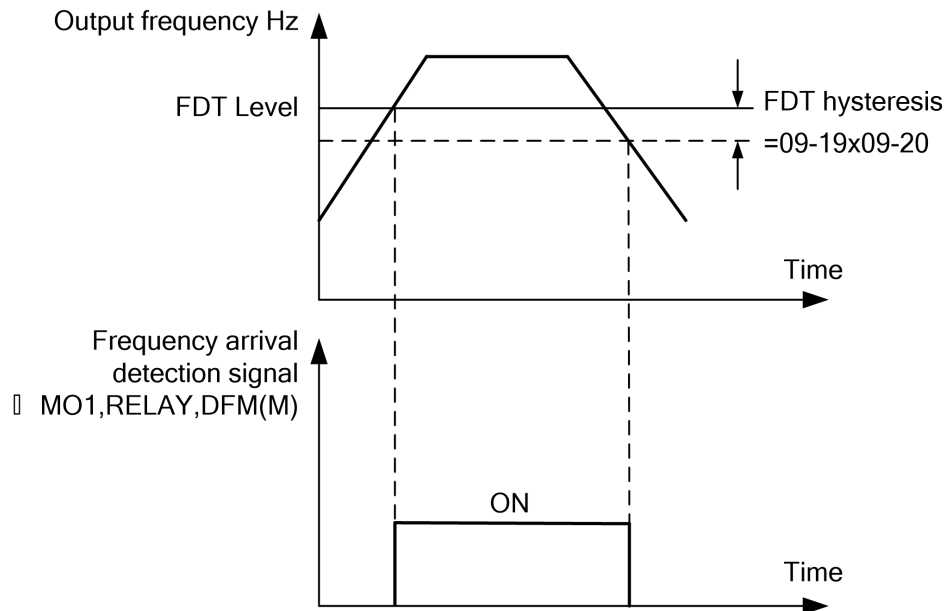


Figure 5-17 Schematic diagram of FDT level

09-21	Frequency reach detection width	↗	Factory setting	0.0%
	Setting range	0.00~100%(Max frequency)		

When the running frequency of the inverter is within a certain range of the target frequency, the multi-function output terminal (function 4) of the inverter outputs an ON signal.

This parameter is used to set the detection range of frequency arrival. This parameter is a percentage relative to the maximum frequency. Figure 5-18 is a schematic diagram of frequency arrival.

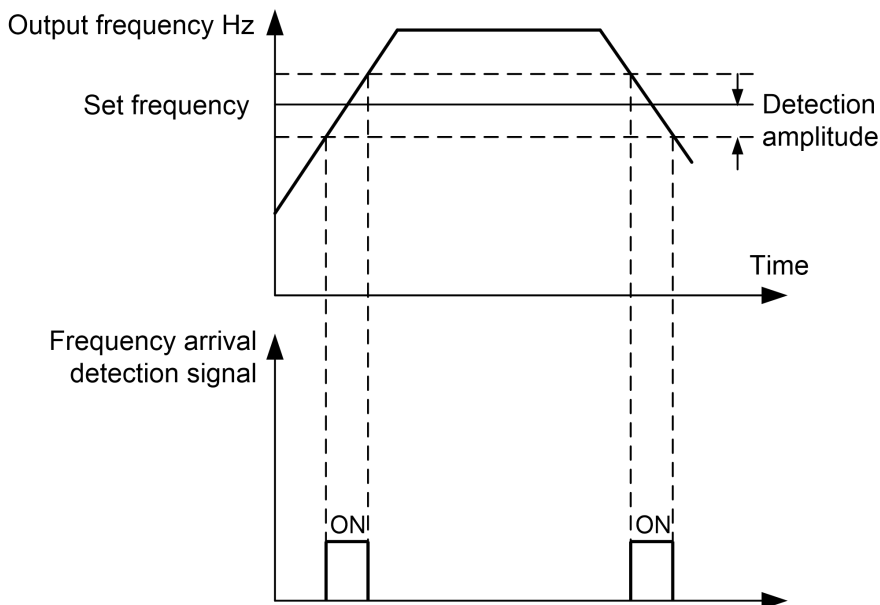


Figure 5-18 Schematic diagram of the frequency arrival detection amplitude

09-22	Whether the jump frequency is effective during acceleration and deceleration	↗	Factory setting	0
	Setting range	0	Invalid	
		1	Valid	

When the setting is valid, when the operating frequency is within the range of the skip frequency, the actual operating frequency will skip the boundary of the set skip frequency. As shown in Figure 5-19.

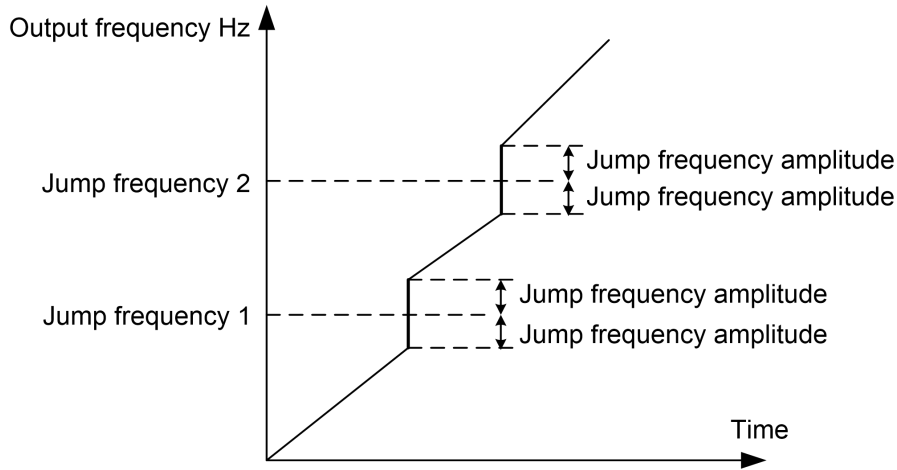


Figure 5-19 Effective schematic diagram of jump frequency during acceleration and deceleration

09-25	Switching frequency point between acceleration time 1 and acceleration time 2		↗	Factory setting	0.00Hz
	Setting range	0.00Hz~Max frequency			
09-26	Switching frequency point between deceleration time 1 and deceleration time 2		↘	Factory setting	0.00Hz
	Setting range	0.00Hz~Max frequency			

During the operation of the inverter, different acceleration and deceleration times can be selected according to the operating frequency range instead of the MI terminal.

Figure 5-20 is a schematic diagram of acceleration/deceleration time switching. During acceleration, if the operating frequency is less than 09-25, select acceleration time 2; if the operating frequency is greater than 09-25, select acceleration time 1.

During deceleration, if the operating frequency is greater than 09-26, select deceleration time 1, if the operating frequency is less than 09-26, select deceleration time 2.

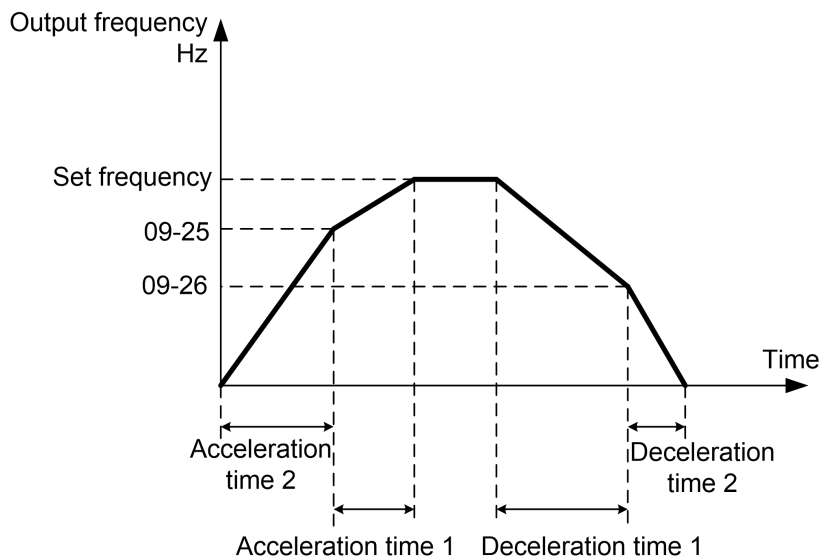


Figure 5-20 Acceleration and deceleration time switching diagram

09-27	Terminal jogging priority		↗	Factory setting	0
	Setting range	0	Invalid		
		1	Valid		

This parameter can set the priority of the terminal jog command to the highest.

When the terminal jog priority is effective, if the terminal jog command appears during the operation, the inverter will switch to the terminal jog running state.

09-28	Frequency detection value(FDT2)	↗	Factory setting	50.00Hz
	Setting range	0.00Hz~Max frequency		
09-29	Frequency detection hysteresis(FDT2)	↗	Factory setting	5.0%
	Setting range	0.0%~100.0%(FDT2 Level)		

The frequency detection function is exactly the same as the function of FDT1. Please refer to the relevant description of FDT1, namely the description of parameters 09-19 and 09-20.

09-30	Arbitrary arrival frequency detection value 1	↗	Factory setting	50.00Hz
	Setting range	0.00Hz~Max frequency		
09-31	Arbitrary arrival frequency detection width 1	↗	Factory setting	0.0%
	Setting range	0.0%~100.0%(Max frequency)		

09-32	Arbitrary arrival frequency detection value 2	↗	Factory setting	50.00Hz
	Setting range	0.00Hz~Max frequency		
09-33	Arbitrary arrival frequency detection width 2	↗	Factory setting	0.0%
	Setting range	0.0%~100.0%(Max frequency)		

When the output frequency is within the range of the positive and negative detection amplitude of any detected frequency, the multi-function output terminal (function 26/27) outputs an ON signal.

S600 provides two sets of arbitrary arrival frequency detection parameters, set frequency value and frequency detection range respectively. Figure 5-21 is a schematic diagram of this function.

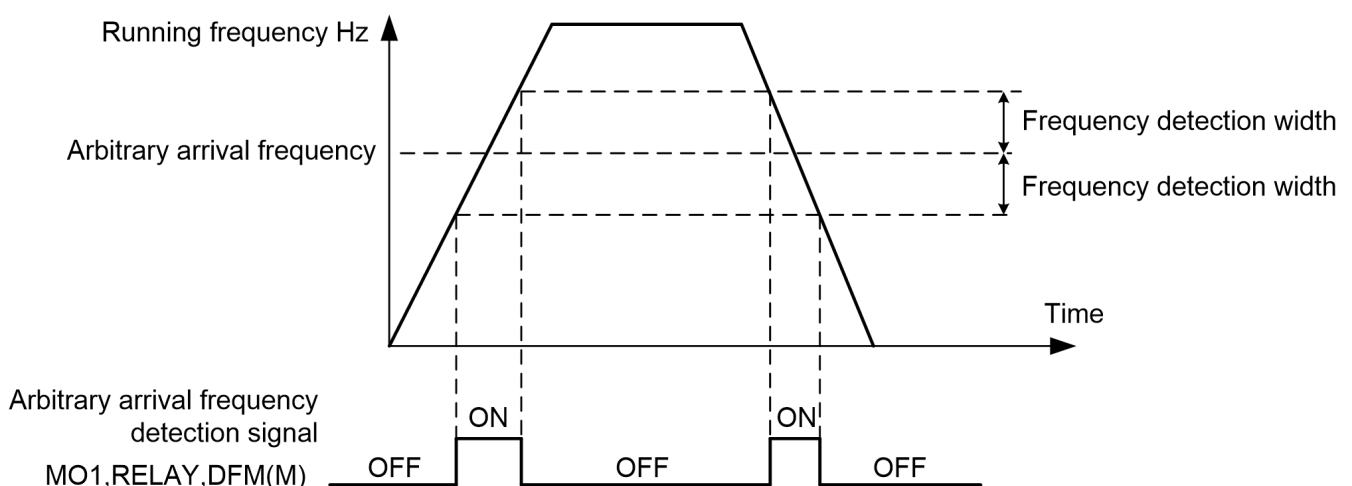


Figure 5-21 Schematic diagram of arbitrary arrival frequency detection

09-34	Zero current detection level	↗	Factory setting	5.0%
	Setting range	0.0%~300.0% (100.0% corresponds to the rated current of the motor)		

09-35	Zero current detection delay time	↗	Factory setting	0.10s
	Setting range	0.01s~600.00s		

When the output current of the inverter is less than or equal to the zero current detection level and the duration exceeds the zero current detection delay time, the multi-function output terminal (function 34) of the inverter outputs an ON signal. Figure 5-22 is a schematic diagram of zero current detection.

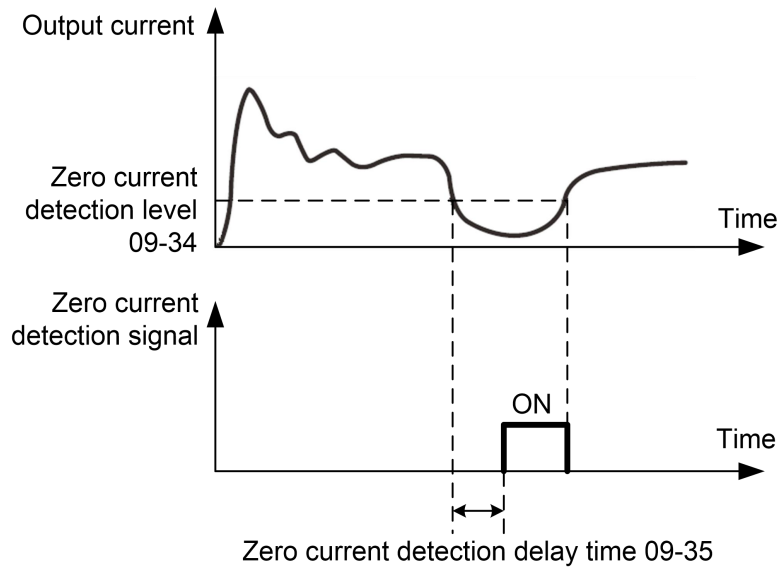


Figure 5-22 Schematic diagram of zero current detection

09-36	Output current limit	↗	Factory setting	200.0%
	Setting range	0.0%(No detection) 0.1%~300.0%(motor rated current)		
09-37	Output overcurrent detection delay time	↗	Factory setting	0.00s
	Setting range	0.00s~600.00s		

When the output current of the inverter is greater than or exceeds the limit detection point and the duration exceeds the software overcurrent detection delay time, the inverter's multi-function output terminal (function 36) outputs an ON signal. Figure 5-23 is a schematic diagram of the output overcurrent detection.

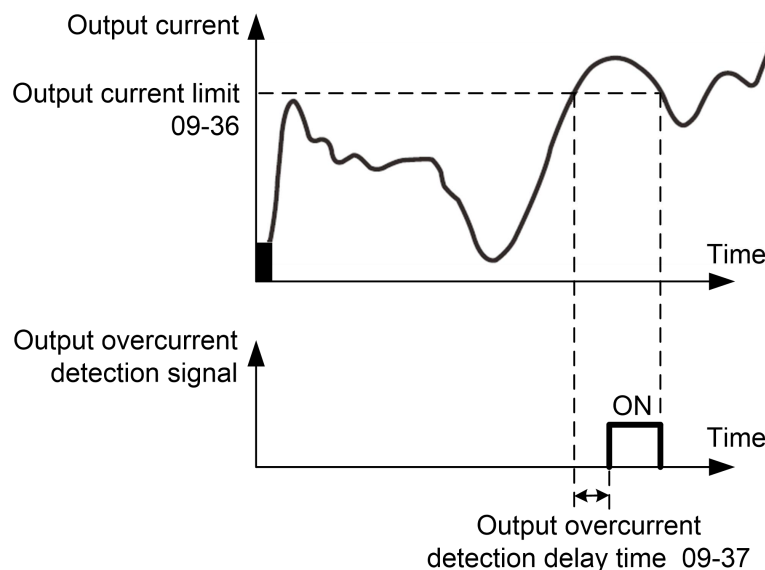


Figure 5-23 Schematic diagram of output overcurrent detection

09-38	Arbitrary arrival current 1		↗	Factory setting	50.0%
	Setting range	0.0%~300.0%(motor rated current)			
09-39	Arbitrary arrival current 1 width		↗	Factory setting	0.3%
	Setting range	0.0%~300.0%(motor rated current)			
09-40	Arbitrary arrival current 2		↗	Factory setting	100.0%
	Setting range	0.0%~300.0%(motor rated current)			
09-41	Arbitrary arrival current 2 width		↗	Factory setting	0.0%
	Setting range	0.0%~300.0%(motor rated current)			

When the inverter output current is within any positive or negative detection width of the current, the inverter multi-function output terminal Terminal (function 28/29) outputs ON signal.

S600 provides two sets of arbitrary current arrival and detection width parameters. Figure 5-24 is a schematic diagram of the function.

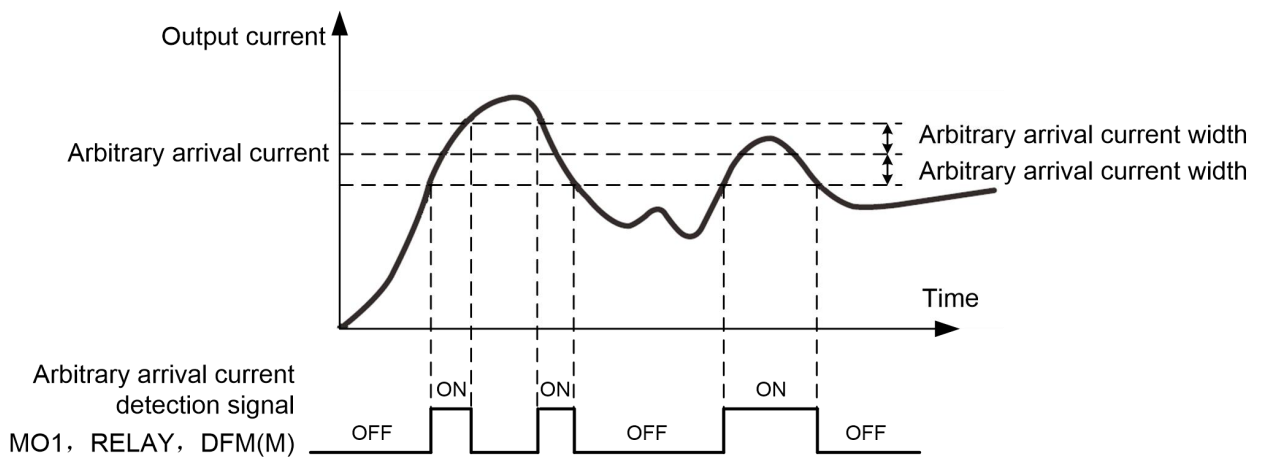


Figure 5-24 Schematic diagram of arbitrary arrival current detection

09-42	Timing function selection			Factory setting	0
	Setting range	0	Invalid		
		1	Valid		
09-43	Timed running time selection			Factory setting	0
	Setting range	0	09-44 Setting		
		1	AVI		
		2	Reserved		
		3	Reserved		
		Analog input range 100% corresponds to 09-44			
09-44	Timed running time			Factory setting	0.0Min
	Setting range	0.0Min~6500.0Min			

09-42 when the timing function selection is valid, the inverter starts timing when it starts, and when the set timing operation time is reached, the inverter automatically stops, and the multi-function output terminal (function 30) outputs an ON signal.

Every time the inverter starts, it starts counting from 0, and the remaining running time can be checked through 99-20. The scheduled running time is set by 09-43 and 09-44, and the time unit is minutes.

09-45	Lower limit of AVI input voltage protection value		↗	Factory setting	3.10V
	Setting range	0.00V~09-46			
09-46	Upper limit of AVI input voltage protection value		↗	Factory setting	6.80V
	Setting range	09-45~11.00V			

When the value of the analog input AVI is greater than 09-46, or the AVI input is less than 09-45, the inverter's multi-function output terminal (function 31) outputs an ON signal, which is used to indicate whether the AVI input voltage is within the set range.

09-47	Module temperature reached		↗	Factory setting	75°C
	Setting range	0°C~100°C			

When the temperature of the inverter radiator reaches this temperature, the multi-function output terminal (function 35) of the inverter outputs an ON signal.

09-48	Cooling fan control			Factory setting	0
	Setting range	0	Fans run during operation		
		1	The fan keeps running		

It is used to select the operation mode of the cooling fan. When it is set to 0, the fan runs in the running state. If the temperature of the radiator is higher than 40 degrees in the stopped state, the fan runs.

When selected as 1, the fan keeps running after power on.

09-49	Wake frequency		↗	Factory setting	0.00Hz
	Setting range	Sleep frequency (09-51) ~ max frequency (00-03)			
09-50	Wake delay time		↗	Factory setting	0.0s
	Setting range	0.0s~6500.0s			
09-51	Sleep frequency			Factory setting	0.00Hz
	Setting range	0.00Hz~Wake frequency(09-49)			

09-52	Sleep delay time		↗	Factory setting	0.0s
	Setting range	0.0s~6500.0s			

This group of parameters is used to implement sleep and wake-up functions in water supply applications.

During the operation of the inverter, when the set frequency is less than or equal to the sleep frequency of 09-51, after the delay time of 09-52, the inverter enters the sleep state and automatically stops.

If the inverter is in sleep state and the current running command is valid, when the set frequency is greater than or equal to the wake-up frequency of 09-49, the inverter will start after a delay time of 09-50.

In general, please set the wake-up frequency to be greater than or equal to the sleep frequency. If the wake-up frequency and sleep frequency are both set to 0.00Hz, the sleep and wake-up functions are invalid.

When the sleep function is enabled, if the frequency source uses PID, whether the PID operation in the sleep state is affected by the parameter 10-28. At this time, it is necessary to select PID calculation when the machine is stopped (10-28=1).

09-53	Arrival time setting for this run		Factory setting	0.0Min
	Setting range	0.0Min~6500.0Min		

When the running time of this startup reaches this time, the inverter multi-function output terminal Terminal (function 40) outputs ON signal.

10 PID Control Parameters

PID control is a common method of process control. By performing proportional, integral, and differential operations on the difference between the controlled variable feedback signal and the target signal, and by adjusting the output frequency of the inverter, a closed-loop system is formed to stabilize the controlled variable at Target value. It is suitable for process control occasions such as flow control, pressure control and temperature control. Figure 5-25 shows the principle block diagram of the process PID control.

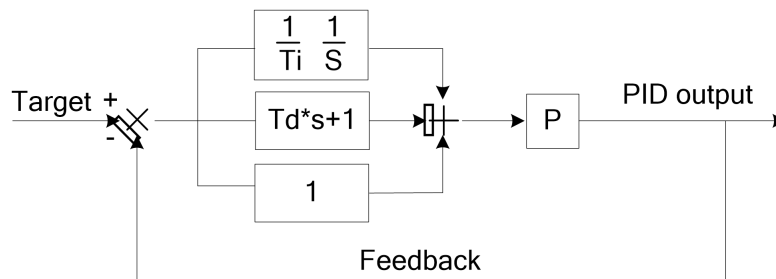


Figure 5-25 Principle block diagram of PID control

10-00	PID given source		⚡	Factory setting	0
	Setting range	0	10-01 Setting		
		1	AVI		
		2	Reserved		
		3	Reserved		
		4	PULSE setting (MI5)		
		5	Communication setting		
		6	Multi-step speed command given		

10-01	PID data given		⚡	Factory setting	50.0%
	Setting range	0.0%~100.0%			

This parameter is used to select the given channel for the target quantity of the process PID.

The process PID setting target value is a relative value, and the setting range is 0.0%~100.0%. Similarly, the feedback quantity of PID is also a relative quantity. The role of PID is to make these two relative quantities the same.

10-02	PID feedback source		⚡	Factory setting	0
	Setting range	0	AVI		
		1	Reserved		

10-02	PID feedback source		↗	Factory setting	0
		2	Reserved		
		3	Reserved		
		4	PULSE setting (MI5)		
		5	Communication setting		
		6	Reserved		
		7	Reserved		
		8	Reserved		

This parameter is used to select the feedback signal channel of the process PID.
The feedback value of the process PID is also a relative value, and the setting range is 0.0%~100.0%.

10-03	PID action direction		↗	Factory setting	0
	Setting range	0	Positive action		
		1	Reaction		

Positive effect: When the PID feedback signal is less than the given amount, the output frequency of the inverter rises. Such as tension control in winding.

Reverse effect: When the PID feedback signal is less than the given amount, the output frequency of the inverter decreases. Such as unwinding tension control occasions.

This function is affected by the multi-function terminal "PID reverse direction" (function 35), which needs attention during use.

10-04	PID Given feedback range		↗	Factory setting	1000
	Setting range	0~65535			

PID given feedback range is a dimensionless unit, used for PID given display 99-15 and PID feedback display 99-16.

The relative value of PID given feedback is 100.0%, corresponding to the given feedback range 10-04.
For example, if 10-04 is set to 2000, when PID setting is 100.0%, PID setting displays 99-15 to 2000.

10-05	Proportional gain Kp1		↗	Factory setting	20.0
	Setting range	0.0~999.9			
10-06	Integration time Ti1		↗	Factory setting	2.00s
	Setting range	0.00s~10.00s			
10-07	Differential time Td1		↗	Factory setting	0.000s
	Setting range	0.000s~10.000s			

Proportional gain Kp1:

Determines the adjustment intensity of the entire PID regulator. The greater the Kp1, the greater the adjustment intensity. The parameter 100.0 indicates that when the deviation between the PID feedback amount and the given amount is 100.0%, the adjustment range of the PID regulator for the output frequency command is the maximum frequency.

Integration time Ti1:

Determine the intensity of PID regulator integral adjustment. The shorter the integration time, the greater the adjustment intensity. The integration time refers to when the deviation between the PID feedback amount and the given amount is 100.0%, the integral regulator continuously adjusts after this time, and the adjustment amount reaches the maximum frequency.

Differential time Td1:

Determines the strength of the PID regulator to adjust the deviation rate of change. The longer the differential time, the greater the adjustment intensity. Differential time refers to the feed rate changes by 100.0% within this time, and the adjustment amount of the differential regulator is the maximum frequency.

10-08	PID reverse cutoff frequency	↗	Factory setting	0.00Hz
	Setting range	0.00~Max frequency		

In some applications, only when the PID output frequency is negative (that is, the inverter reverses) can the PID control the given amount and the feedback amount to the same state, but in some occasions, excessive reverse frequency is not allowed. 10-08 to set the upper limit of reverse frequency.

10-09	PID deviation limit	↗	Factory setting	0.0%
	Setting range	0.0%~100.0%		

When the deviation between the PID given amount and the feedback amount is less than 10-09, the PID stops adjusting. In this way, the output frequency is stable when the deviation between the reference and feedback is small, which is very effective for some closed-loop control occasions.

10-10	PID differential limiting	↗	Factory setting	0.50%
	Setting range	0.00%~100.00%		

In PID regulators, the role of differential is relatively sensitive, and it is easy to cause system oscillation. Therefore, the role of PID differential is generally limited to a small range. 10-10 is used to set the range of PID differential output.

10-11	PID given change time	↗	Factory setting	0.00s
	Setting range	0.00s~650.00s		

PID given change time refers to the time required for PID given value to change from 0.0% to 100.0%.

When the PID setting changes, the PID setting value changes linearly according to the given change time, which reduces the adverse effect of the mutation on the system.

10-12	PID feedback filter time	↗	Factory setting	0.00s
	Setting range	0.00s~60.00s		

10-15	Proportional gain Kp2	↗	Factory setting	20.0
	Setting range	0.0~999.9		

10-16	Integration time Ti2	↗	Factory setting	2.00s
	Setting range	0.00s~10.00s		

10-17	Differential time Td2		↗	Factory setting	0.000s
	Setting range	0.000s~10.000s			
10-18	PID parameter switching conditions		↗	Factory setting	0
	Setting range	0	No switch		
		1	Switch via MI terminal		
		2	Automatically switch according to deviation		
		3	Automatically switch according to operating frequency		

10-19	PID parameter switching deviation 1		↗	Factory setting	20.0%
	Setting range	0.0%~10-20			
10-20	PID parameter switching deviation 2		↗	Factory setting	80.0%
	Setting range	10-19~100.0%			

In some applications, a group of PID parameters cannot meet the requirements of the entire operation process, and different PID parameters need to be used in different situations.

This group of parameters is used to switch between two groups of PID parameters. The setting method of the parameters 10-15~10-17 of the regulator is similar to the parameters 10-05~10-07.

The two sets of PID parameters can be switched through the multi-function input MI terminal I, and can also be automatically switched according to the deviation of PID.

When switching through the multi-function MI terminal I, the function selection I of the multi-function terminal I should be set to function 43 (PID parameter switching terminal I), when the terminal I is invalid, select the parameter group 1 (10-05~10-07), When terminal I is valid, select parameter group 2 (10-15~10-17).

When the automatic switching is selected, the absolute value of the deviation between the given and feedback is less than the PID parameter switching deviation 1 10-19, PID parameter selection parameter group 1. When the absolute value of the deviation between the reference and feedback is greater than the PID switching deviation 2 (10-20), PID parameter selection selects parameter group 2. When the deviation between reference and feedback is between switching deviation 1 and switching deviation 2, the PID parameters are the linear interpolation values of the two groups of PID parameters, as shown in Figure 5-26.

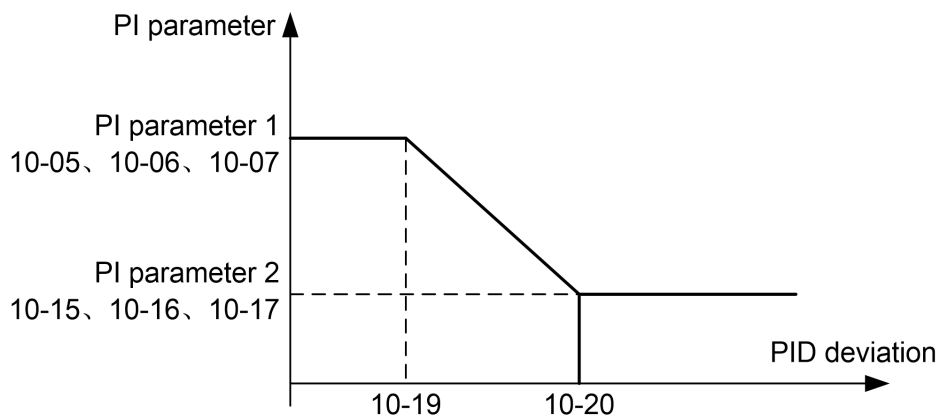


Figure 5-26 PID parameter switching

10-21	PID Initial value		↗	Factory setting	0.0%
	Setting range	0.0%~100.0%			

10-22	PID initial value hold time	⚡	Factory setting	0.00s
	Setting range	0.00s~650.00s		

When the inverter starts, the PID output is fixed at the initial PID value of 10-21, and the PID will start the closed-loop adjustment operation only after the initial PID holding time of 10-22.

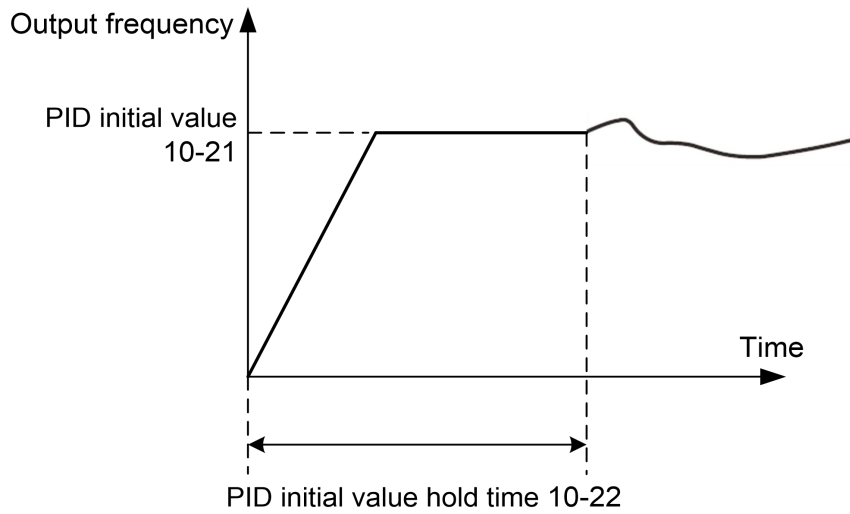


Figure 5-27 Schematic diagram of PID initial value function

This function is used to limit the difference between two beats (2ms/beat) of PID output, so as to restrain the PID output from changing too fast, and make the operation of the inverter tend to be stable.

10-26	PID feedback lower limit detection	⚡	Factory setting	0.0%
	Setting range	0.0%: No judgment 0.1%~100.0%		

10-27	PID feedback loss detection time	⚡	Factory setting	0.0s
	Setting range	0.0s~20.0s		

This parameter can detect whether the PID feedback line is missing.

When the PID feedback amount is less than the feedback loss detection value 10-26, and the duration exceeds the PID feedback loss detection time 10-27, the inverter alarms the fault PIDE, and handles it according to the selected fault handling method.

10-28	PID Shutdown calculation	⚡	Factory setting	0
	Setting range	0	No operation during shutdown	
		1	Operation at shutdown	

It is used to select whether PID continues to operate under PID stop status. In general applications, PID should stop calculation in the stop state.

11 Fault and Protection Parameters

11-00	Motor overload protection selection	↗	Factory setting	1
	Setting range	0	Disabled	
		1	Enabled	
11-01	Motor overload protection gain	↗	Factory setting	1.00
	Setting range	0.20~10.00		

0: No protection, no motor overload protection feature (use with caution), at this time, the inverter has no overload protection for the load motor.

1: At this time, the inverter judges whether the motor is overloaded according to the inverse time limit curve of the motor overload protection. The inverse time limit curve of motor overload protection is:
 $200\% \times (11-01) \times \text{motor rated current}$, which will alarm the motor overload fault for 1 minute;
 $150\% \times (11-01) \times \text{motor rated current}$, which lasts 1 minutes Then alarm motor overload.

The user sets the value of 11-01 according to the actual overload capacity of the motor. If the setting is too large, the motor may be damaged due to overheating and the inverter may not alarm in time!

11-02	Motor overload pre-warning coefficient	↗	Factory setting	80%
	Setting range	50%~100%		

This function is used to output an early warning signal to the control system through the multi-function output terminal before the motor overload protection. The early warning function can set how much early warning is given before the motor overload protection. The larger the value, the smaller the early warning advance.

When the cumulative output current of the inverter is greater than the product of the overload inverse time curve and 11-02, the inverter's multi-function output terminal (function 7) outputs the "motor overload pre-alarm" ON signal.

11-03	Selection of short-circuit protection to ground	↗	Factory setting	01
	Setting range	Units: short circuit protection on power-on to ground		
		Tens place: short circuit protection to ground before operation		
		0	Invalid	
	1	Valid		

Select whether to detect the short circuit fault of the motor when the inverter is powered on.

If this function is valid, there will be voltage output from the UVW terminal of the inverter within a period of time after power-on.

11-09	Fault automatic reset times	↗	Factory setting	0
	Setting range	0~30		

When the inverter selects automatic fault reset, it is used to set the number of automatic resets. After this number of times, the inverter remains in a fault state and requires manual intervention.

11-10	Action selection of fault multi-function output terminal during fault automatic reset		↗	Factory setting	0
	Setting range	0	No action		
		1	Action		

If the inverter is equipped with a fault automatic reset function, whether the multi-function terminals are activated during the fault automatic reset can be set via 11-10.

11-11	Fault automatic reset interval time		↗	Factory setting	6.0s
	Setting range	0.1s~100.0s			

Waiting time from inverter fault alarm to automatic fault reset.

11-13	Output phase loss protection selection		↗	Factory setting	1
	Setting range	Units: output phase loss protection Tens place: output phase loss protection before running			
		0	Disabled		
		1	Enabled		

Choose whether to protect the output phase loss.

11-14	First failure type	Factory setting	-
11-15	Second failure type	Factory setting	-
11-16	Third (latest) fault type	Factory setting	-

Record the last three fault types of the inverter, 0 is no fault. For the cause and solution of the fault, please refer to the relevant instructions in Chapter 6.

11-17	Frequency at the third failure	Frequency at latest failure																				
11-18	Current at the third fault	Current at latest fault																				
11-19	Bus voltage at the third fault	Bus voltage at the latest fault																				
11-20	Input terminal status at the third fault	<p>The state of the digital input terminal during the latest failure, the order is:</p> <table border="1"> <tr> <td>BIT9</td><td>BIT8</td><td>BIT7</td><td>BIT6</td><td>BIT5</td><td>BIT4</td><td>BIT3</td><td>BIT2</td><td>BIT1</td><td>BIT0</td> </tr> <tr> <td>-</td><td>-</td><td>-</td><td>-</td><td>-</td><td>MI5</td><td>-</td><td>MI3</td><td>MI2</td><td>MI1</td> </tr> </table> <p>When the input terminal is ON, the corresponding secondary system bit is 1, OFF is 0, and all MI status is converted to decimal number display.</p>	BIT9	BIT8	BIT7	BIT6	BIT5	BIT4	BIT3	BIT2	BIT1	BIT0	-	-	-	-	-	MI5	-	MI3	MI2	MI1
BIT9	BIT8	BIT7	BIT6	BIT5	BIT4	BIT3	BIT2	BIT1	BIT0													
-	-	-	-	-	MI5	-	MI3	MI2	MI1													
11-21	Output terminal status at the third fault	<p>The state of all output terminals during the latest fault, the order is</p> <table border="1"> <tr> <td>BIT4</td><td>BIT3</td><td>BIT2</td><td>BIT1</td><td>BIT0</td> </tr> <tr> <td>-</td><td>-</td><td>-</td><td>REL1</td><td>-</td> </tr> </table> <p>When the input terminal is ON, the corresponding secondary system bit is 1, OFF is 0, and all MI status is converted to decimal number display.</p>	BIT4	BIT3	BIT2	BIT1	BIT0	-	-	-	REL1	-										
BIT4	BIT3	BIT2	BIT1	BIT0																		
-	-	-	REL1	-																		
11-22	Inverter status at the third fault	Reserved																				
11-23	Power-on time at the third fault	The current power-on time when the latest fault occurred																				
11-24	Running time at the third failure	Current running time at the time of the latest failure																				

11-27	Frequency at second failure	The same to 11-17~11-24
11-28	Current at second fault	
11-29	Bus voltage at the second fault	
11-30	Input terminal status at the second fault	
11-31	Output terminal status at the second fault	
11-32	Inverter status at the second fault	
11-33	Power-on time at the second fault	
11-34	Running time on second failure	
11-37	Frequency at first failure	
11-38	Current at first fault	
11-39	Bus voltage at first fault	
11-40	Input terminal status at the first fault	
11-41	Output terminal status at the first fault	
11-42	Inverter status at first fault	
11-43	Power-on time at first failure	
11-44	Operating time at first failure	

11-47	Fault protection action selection 1		↗	Factory setting	0
	Setting range	Single digit	Motor overload(OL1)		
		0	Coast to stop		
		1	Stop according to the stop mode		
		2	Continue to run		
		Tens digital	Reserved		
		Hundreds digital	Output phase loss(SPo)(Same bit)		
		Thousands digital	External fault(EF)(Same bit)		
		Ten thousands digital	Communication error(CE)(Same bit)		
11-48	Fault protection action selection 2		↗	Factory setting	0
	Setting range	Single digit	Reserved		
		Tens digital	EEPROM read write fault(EEP)		
		0	Coast to stop		
		1	Stop according to the stop mode		
		Hundreds digital	Reserved		
		Thousands digital	Reserved		
		Ten thousands digital	Operating time arrival (Eond) (same as 11-47 digits)		

11-49	Fault protection action selection 3		↗	Factory setting	0
	Setting range	Single digit	Reserved		
		Tens digital	Reserved		
		hundreds digital	Power-on time arrival (EIND) (same as 11-47 digits)		
		thousands digital	Lost load(oLL)		
		0	Coast to stop		
		1	Stop according to the stop mode		
		2	Reserved		
		ten thousands digital	PID feedback lost during operation (PIDE) (same as 11-47 bits)		
11-50	Fault protection action selection 4		↗	Factory setting	
	Setting range	Reserved			

When "free stop" is selected, the inverter displays the fault code and directly stops.

When "Stop by Stop Mode" is selected: The inverter displays a fault and stops according to the stop mode.

When "Continue running" is selected: The inverter displays a fault and the running frequency continues to run at the selected frequency of 11-54.

11-54	Continue running frequency selection in case of failure		↗	Factory setting	0
	Setting range	0	Run at current operating frequency		
		1	Run at set frequency		
		2	Run at upper limit frequency		
		3	Run at the lower limit frequency		
		4	Run at abnormal standby frequency		

11-55	Abnormal standby frequency		↗	Factory setting	100.0%
	Setting range	0.0%~100.0%(100.0% corresponds to the maximum frequency 00-03)			

When a fault occurs during the operation of the inverter, and the processing method of the fault is set to continue running, the inverter displays the fault and continues to run at the selected frequency of 11-54. When the abnormal standby frequency is selected for operation, the value set in 11-55 is a percentage relative to the maximum frequency.

11-59	Instantaneous power failure action selection		↗	Factory setting	0
	Setting range	0	Invalid		
		1	Deceleration		
		2	Decelerate to stop		
11-60	Instantaneous power failure action pause judgment voltage		↗	Factory setting	85%
	Setting range	20~150%			
11-61	Judgment time of instantaneous power failure voltage rise		↗	Factory setting	0.3s
	Setting range	0.0s~100.0s			

11-62	Judgment voltage of instantaneous power failure	↗	Factory setting	80%
	Setting range	20%~150%(Standard bus Voltage)		

Refers to the moment when there is a power failure or the voltage drops suddenly, the inverter reduces the output speed, so that the load feedback energy maintains the inverter DC bus voltage, so that the inverter continues to run.

If 11-59=1, the inverter decelerates when there is an instantaneous power failure or a sudden drop in voltage, and when the bus voltage returns to normal, the inverter normally accelerates to the set frequency. The basis for judging the return of the bus voltage to normal is that the bus voltage is normal and the duration exceeds the set time of 11-61.

If 11-59=2, during an instantaneous power failure or a sudden drop in voltage, the inverter decelerates until it stops.

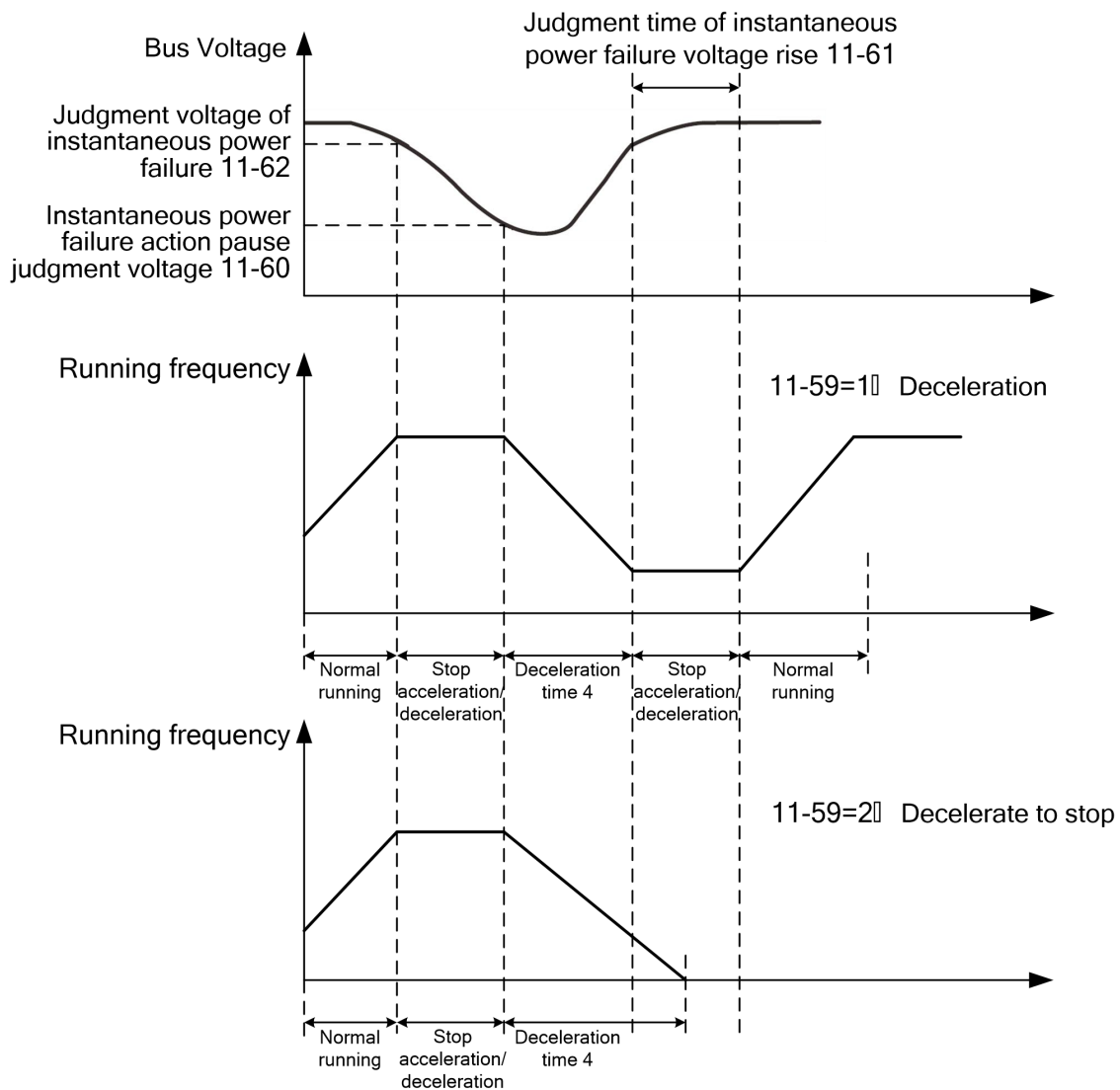


Figure 5-28 Schematic diagram of instantaneous power failure

11-63	Lost load protection options	↗	Factory setting	0
	Setting range	0	Invalid	
		1	Valid	
11-64	Lost load detection level	↗	Factory setting	10.0%
	Setting range	0.0~100.0%		

11-65	Lost load detection time		↗	Factory setting	1.0s
	Setting range	0.0s~60.0s			

If the off-load protection function is effective, when the inverter output current is less than the off-load detection level 11-64, and the duration is greater than the off-load detection time 11-65, the inverter output frequency is automatically reduced to 7% of the rated frequency. During the load protection period, if the load is restored, the inverter automatically resumes to run at the set frequency.

12 Serial Communication Parameters

12-00	Local address		↗	Factory setting	1
	Setting range	1~247, 0 is broadcast address			

When the local address is set to 0, it is the broadcast address to realize the broadcast function of the host computer.

The local address is unique (except broadcast address), which is the basis for the point-to-point communication between the host computer and the inverter.

12-01	Baud rate		↗	Factory setting	5
	Setting range	Single digit	MODUBS Baud rate		
		0	300BPS		
		1	600BPS		
		2	1200BPS		
		3	2400BPS		
		4	4800BPS		
		5	9600BPS		
		6	19200BPS		
		7	38400BPS		
		8	57600BPS		
	9	115200BPS			

This parameter is used to set the data transmission rate between the host computer and the inverter. Note that the baud rate set by the host computer and the inverter must be the same; otherwise, communication cannot be performed. The higher the baud rate, the faster the communication speed.

12-02	Data formate		↗	Factory setting	0
	Setting range	0	No checking(8-N-1)		
		1	Even parity checking(8-E-1)		
		2	Odd parity checking(8-O-1)		
		3	No checking(8-N-2)		

The host computer must coincide with the data format set by inverter, or communication can't be operated.

12-03	Communication response delay	↗	Factory setting	2ms
	Setting range	0~20ms		

Communication response delay refers to the interval time from end of inverter data receiving to sending response data to host computer. If the response delay time is shorter than system processing time, the response delay is subject to system processing time. If the response delay time is longer than system processing time, the system has to delay after processing the data. And send data to the host computer until the delay time is reached.

12-04	Communication timeout	↗	Factory setting	0.0s
	Setting range	0.0(invalid),0.1~60.0s		

When this function code is set as 0.0s, the parameter of communication overtime time is invalid. When this function code is set as valid value, if the interval time between one communication and the next communication exceeds the time of communication overtime, the system will report communication error (CE). Normally, this parameter is set as invalid value.setting this parameter in system of continuous communication can monitor the communication status.

12-06	Communication reading current resolution	↗	Factory setting	0
	Setting range	0	0.01A	
		1	0.1A	

It is used to determine the output unit of the current value when the communication reads the output current.

Modbus protocol

S600 series inverters provide RS485 communication interface and support Modbus communication protocol. Users can realize centralized control through PC or PLC, set inverter running command, operating frequency, modify or read function code parameters, monitor inverter working status and fault information, etc.

Protocol content

The serial communication protocol defines the content and format of information transmitted in serial communication. These include: host polling and broadcasting; host encoding methods, including: function codes that require actions, transmission data, and error checking. The response of the slave also adopts the same structure, including: action confirmation, return data and error check. If the slave receives an error when receiving information, or cannot complete the action required by the master, it will organize a fault message as a response to the master.

Application method:

The frequency inverter can be connected to the "single master and multiple slave" control network with RS485 bus.

Bus structure:

(1) Interface method

RS485 hardware interface

(2) Transmission method

Asynchronous serial, half-duplex transmission mode. At the same time, only one master and slave can send data and the other can only receive data. In the process of serial asynchronous communication, data is sent frame by frame in the form of messages.

(3) Topology

Single-master multi-slave system. The setting range of the slave address is 1~247, and 0 is the broadcast communication address. The slave addresses in the network are all unique.

Protocol description:

The S600 series inverter communication protocol is an asynchronous serial master-slave Modbus communication protocol. Only one device (host) in the network can establish the protocol (called "query/command"). Other devices (slave) can only respond to the "query/command" of the host by providing data, or make corresponding actions according to the "query/command" of the host. The master here refers to a personal computer (PC), industrial control equipment or programmable logic controller (PLC), etc., and the slave refers to the S600 inverter.

The master can not only communicate with a certain slave, but also broadcast information to all slaves. For the "query/command" of the separately accessed host, the slave must return a message (called a response). For the broadcast information sent by the host, the slave does not need to respond to the host.

Communication frames structure:

The Modbus protocol communication data format of S600 series inverters uses RTU mode, and new frames always start with a silent transmission time of at least 3.5 bytes. On a network that calculates the transmission rate in baud rate, the transmission time of 3.5 bytes can be easily grasped. The data fields transmitted next are in order: slave address, operation command code, data and CRC check word, each field transmission byte is hexadecimal 0.9, A.F. Network equipment always monitors the activity of the communication bus. When receiving the first field (address information), each network device confirms the byte. As the transmission of the last byte is completed, there is a similar 3.5-byte transmission time interval, which is used to indicate the end of this frame. After that, a new frame transmission will start.

A message frame must be transmitted as a continuous data stream. If there is a pause time of more than 1.5 characters before the frame is completed, the receiving device will refresh the incomplete message and assume that the next byte is the address field of a new message. Similarly, if a new message starts after the previous message in less than 3.5 characters, the receiving device will consider it as a continuation of the previous message. This will cause an error because the value in the last CRC field cannot be correct.

RTU Frame format:

Frame header (START)	3.5 character time
Slave address (ADR)	Communication address:1~247
Command code (CMD)	03: Read slave parameters; 06: Write slave parameters
DATA(N-1)	Data content: Function code parameter address, function code parameter number, function code parameter value, etc.
DATA(N-2)	
.....	
DATA 0	
CRC CHK upper bite	Detection value: CRC value
CRC CHK lower bite	
END	3.5 character time

Command code and communication data description:

Command code: 03H, read N words (Word can read up to 12 words)

For example: the start address 0002 of the inverter with slave address 01 is continuously reading two consecutive values.

RTU host command information

ADR	01H
CMD	03H
Start address upper bit	00H
Start address lower bit	02H
Date number upper bit	00H
Date number lower bit	02H
CRC CHK lower bit	CRC CHK
CRC CHK upper bit	

RTU slave response information

ADR	01H
CMD	03H
Byte number	04H
Date address 0002H upper bit	00H
Date address 0002H lower bit	00H
Date address 0003H upper bit	00H
Date address 0003H lower bit	01H
CRC CHK Lower bit	CRC CHK
CRC CHK Upper bit	

Command code: 06H Write a word (Word)

For example: write 5000 (1388H) to the slave address 02H inverter 0003H address

Host command information

ADR	02H
CMD	06H
Data address upper bit	00H
Data address lower bit	03H
Data content upper bit	13H
Data content lower bit	88H
CRC CHK lower bit	CRC CHK
CRC CHK upper bit	

Slave response information

ADR	02H
CMD	06H
Data address upper bit	00H
Data address lower bit	03H
Data content upper bit	13H
Data content lower bit	88H
CRC CHK lower bit	CRC CHK
CRC CHK upper bit	

Checking method——CRC checking method:

In RTU frame format, the frame includes frame incorrect test field based on CRC computing. The CRC field detects the content of whole frames. The CRC field is 2 bytes and includes 16-binary. It is added to frame after being computed by transmission equipment. The receiving equipment recalculates the CRC which has received frames and compare it with values in the received CRC field. If the two CRC values are different, it indicates that there is transmission error received.

In CRC checking mode, it saves in 0xFFFF first, then uses a procedure and processes the continuous 8 more than bytes in frames together with current register. Only the 8-bit data in every character is available to CRC, the start bit, end bit and parity checking are all unavailable to it.

In CRC production course, every 8-bit character is different from the register content separately or (XOR). The result moves to the direction of lowest effective bit. And the highest bit is filled with 0. LSB is picked up to test. If LSB is 1, the register is different from the preset value alone. If LSB is 0, no actions. The whole process must be repeated 8 times. As the last bit (8th bit) is finished, the next 8-bit character is different from the present value of register again. The final value in register is the CRC value after all bytes in frame have been executed.

Here is a simple function of CRC algorithm for users' reference.

```
unsigned int crc_cal_value(unsigned char *data_value,unsigned char data_length)
```

```

{
    int i;
    unsigned int crc_value=0xffff;
    while(data_length--)
    {
        crc_value^=*data_value++;
        for(i=0;i<8;i++)
        {
            if(crc_value&0x0001)
                crc_value=(crc_value>>1)^0xa001;
            else
                crc_value=crc_value>>1;
        }
    }
    return(crc_value);
}

```

Definition of communication data address

It is the definition of communication data address, which is used to control inverter operation, obtain the state information and relative function parameters.

(1)Using method of function code parameter address:

Using numbers of function code as parameters to correspond to the register address, which has to be converted to hexadecimal system. For example, the number of 05-10, the function code address expressed by hexadecimal system is 050A.

Ranges of high and low characters: high-bit character-00~0FH; low-bit character--00~FFH. (The parameter's change attribute refers to the parameter description)

In addition, the frequent storage of EEPROM will reduce its service life. For users, some function codes don't need to be stored in communication mode. The application requirement can be meet only through altering values in RAM. This function can be realized as long as changing the highest bit of corresponding function code address from 0 to 1. For example, the function code 00-06 is not stored in the EEPROM, and the address at the highest position 1 is 8006H, which means that the address can only be written to RAM, not written to the EEPROM for saving, and the address can also be read directly.

Note: The communication address of more than 15 groups of parameters needs to add 4200H offset. For example, the corresponding communication address of 22-06 is 1606H+4200H=5806H.

(2)Communication command address:

Function description	Address definition	Description of data meaning	R/W characteristic
Communication control command	1000H	0001H:Forward running	W/R
		0002H:Reverse running	
		0003H:Forward jog	
		0004H:Reverse jog	
		0005H:Stop	
		0006H:Coast to stop	
		0007H:Fault reset	
		0008H:Reserved	

Function description	Address definition	Description of data meaning	R/W characteristic
Inverter status	1001H	0001H:Forward running	R
		0002H:Reverse running	
		0003H:Inverter standby	
Communication setting value address	2000H	Communication setting value:range (-10000~10000) Note: communication setting value is the percentage of relative value,10000 corresponds to 100.00%, and - 10000 corresponds to - 100.00%. For frequency dimension data, the percentage is the percentage of relative maximum frequency (00-03);for torque dimension data, the percentage is 02-07 (torque upper limit digital setting).About the PID feedback source,this percentage directly represents the value of the setting source.	W/R
Digital output terminal control	2001H	BIT0:Reserved BIT1:Reserved BIT2:Relay RA-RC output control BIT3:Reserved BIT4:Reserved	W/R
Analog AFM output control	2002H	0~7FFFmeans 0%~100%	W/R
Address description of start/stop parameters	3000H	Running frequency	R
	3001H	Setting frequency	R
	3002H	Bus voltage	R
	3003H	Output voltage	R
	3004H	Output current	R
	3005H	Operation rotating speed	R
	3006H	Output power	R
	3007H	Output torque	R
	3008H	PID set value	R
	3009H	PID feedback value	R
	300AH	Terminal input flag state	R
	300BH	Terminal output flag state	R
	300CH	Analog quantity AVI value	R
	300DH	Reserved	R
	300EH	Reserved	R
	300FH	Count value	R
	3010H	Length	R
	3011H	Load speed	R
	3012H	Multi-speed and the current number of PLC	R
	3013H	PULSE input pulse frequency(unit: 1Hz)	R
3014H	Communication setting value	R	
3015H	Reserved	R	
3016H	Main frequency X display	R	
3017H	Auxiliary frequency Y display	R	

Function description	Address definition	Description of data meaning	R/W characteristic
Inverter fault address	5000H	Fault information code coincides with number of fault type in function code menu. But the data here returned to the host is in hexadecimal system and not fault character.	R

Description: Data read from 5000H compares with the actual fault as shown in the table below.

Inverter fault address	Description Inverter fault information description	
5000H	0000:No fault	0015:EEPROM read write error
	0001:Short-circuit protection	0016:Inverter hardware fault
	0002:Acceleration over current	0017:Motor short circuit to ground
	0003:Deceleration over current	0018:Reserved
	0004:Constant speed over current	0019:Reserved
	0005:Acceleration overvoltage	001A:Running time arrival
	0006:Deceleration overvoltage	001B:Reserved
	0007:Constant speed overvoltage	001C:Reserved
	0008:Reserved	001D:Power-on time arrival
	0009:Bus undervoltage fault	001E:Load failure
	000A:Inverter overload	001F:The PID feedback disconnected
	000B:Motor overload	0028:Wave-by-wave current limiting fault
	000C:Reserved	0029:Switching motor fault during operation
	000D:Output phase loss	002a:Reserved
	000E:Module overheat	002b:Reserved
	000F:External fault	002d:Motor over temperature
	0010:Communication error	005a:Reserved
	0011:Reserved	005b:Reserved
0012:Current detection fault	005C:Reserved	
0013:Reserved	005E:Reserved	
0014:Reserved		

Communication error message response:

When a communication frame is detected as an error, the slave responds with a one-byte error code that defines the cause of the error. After the main device application receives an error code response, the typical process is to resend the message or make a command change for the corresponding error.

The communication error returns the function code+80H and the error code value, as shown in the table below:

Wrong code definition
00: No fault
01: Command error.
02: Invalid address
03: Invalid parameter
04: Invalid operation

13 Counting Parameters

13-05	Set length		↗	Factory setting	1000m
	Setting range	0m~65535m			
13-06	Actual Length		↗	Factory setting	0m
	Setting range	0m~65535m			
13-07	Pulses per meter		↗	Factory setting	100.0
	Setting range	0.1~6553.5			

The above parameters are used for fixed length control.

The length information needs to be collected through the multifunctional digital input terminal. The number of pulses sampled by the terminal is divided by 13-07 pulses per meter, and the actual length 13-06 can be calculated. When the actual length is greater than the set length 13-05, the multi-function output terminal (function 10) outputs an ON signal.

During the fixed-length control, the length reset operation can be performed through the multi-function MI terminal (MI function selection is 28). For details, please refer to 04-00~04-04.

In application, the corresponding multi-function input terminal function needs to be set to "length count input" (function 27). When the pulse frequency is high, the MI5 port must be used.

13-08	Set count value		↗	Factory setting	1000
	Setting range	1~65535			
13-09	Designated count value		↗	Factory setting	1000
	Setting range	1~65535			

The count value needs to be collected through the multi-function digital input terminal. The application needs to set the corresponding multi-function input terminal function to "counter input" (function 25). When the pulse frequency is high, the MI5 port must be used.

When the count value reaches the set count value 13-08, the multi-function output terminal (function 8) outputs an ON signal, and then the counter stops counting.

When the count value reaches the designated count value 13-09, the multi-function output terminal (Function 9) outputs an ON signal. At this time, the counter continues to count until the "set count value" stops the counter.

The designated count value 13-09 should not be greater than the set count value 13-08.

Figure 5-30 is a schematic diagram of the set count value arrival and designated count value arrival functions.

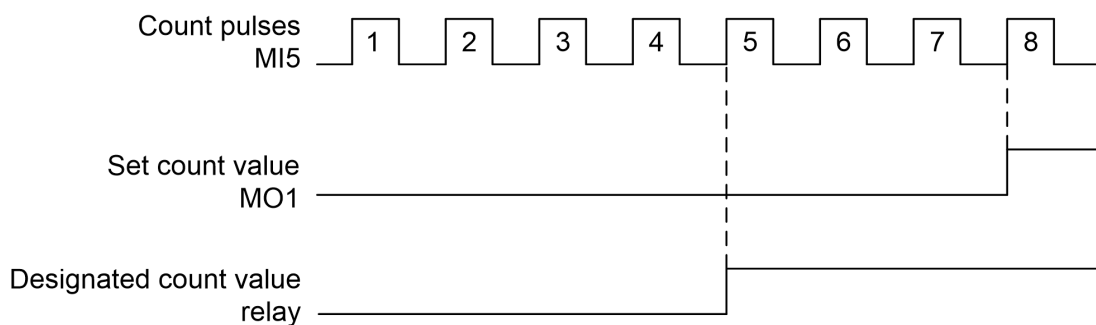


Figure 5-30 Schematic diagram of set count value and designated count value

22 Control Optimization Parameters

22-04	Fast current limit enable		↗	Factory setting	1
	Setting range	0	No enabling		
		1	Enabling		

Enabling the fast current limit function can minimize the overcurrent fault of the inverter and ensure the continuous operation of the inverter. If the inverter continues to be in the fast current limiting state for a long time, the inverter may be damaged due to overheating, etc. This situation is not allowed.

Therefore, the inverter is used in the occasion of large current impact for a long time, please select 1, the rapid current limit will alarm the fault CBC after a period of time, indicating that the inverter is overloaded and needs to be stopped.

22-06	Undervoltage level		↗	Factory setting	220V:200.0V 380V:350.0V
	Setting range	DC160V-DC420V			

It is used to set the voltage value of the undervoltage fault UV of the inverter. 100.0% of the inverters with different voltage levels correspond to different voltage points, respectively:

Single-phase 220V or three-phase 220V: DC200.0V

Three-phase 380V: DC350.0V

99 Monitoring Parameters

The 99 parameter group is used to monitor the running status information of the inverter. The user can view it through the operation panel, or read the value of the parameter group through communication in order to view the data on the spot or monitor the data of the host computer. The communication address of this group is 4300H, such as 99-12, the corresponding address is 430CH.

See the table below for details:

Parameter	Parameter function	Setting range
99-00	Running frequency(Hz)	0.01Hz
99-01	Setting frequency(Hz)	0.01Hz
99-02	Bus voltage(V)	0.1V
99-03	Output voltage(V)	1V
99-04	Output current(A)	0.01A
99-05	Output power(kW)	0.1kW
99-06	Output torque(%)	0.1%
99-07	MI input status	1
99-08	MO output status	1
99-09	AVI voltage(V)	0.01V
99-12	Count value	1

Parameter	Parameter function	Setting range
99-13	Length	1
99-14	Load speed	1
99-15	PID setting	1
99-16	PID feedback	1
99-17	PLC stage	1
99-18	PULSE input pulse frequency(Hz)	0.01kHz
99-19	Feedback speed(Unit 0.1Hz)	0.1Hz
99-20	Remaining running time	0.1Min
99-21	AVI voltage before calibration	0.001V
99-22	Reserved voltage before calibration	0.001V
99-24	Line speed	1m/Min
99-25	Current power-on time	1Min
99-26	Current running time	0.1Min
99-27	PULSE input pulse frequency	1Hz
99-28	Communication setting value	0.01%
99-30	Main frequency X display	0.01Hz
99-31	Auxiliary frequency Y display	0.01Hz
99-32	View any memory address value	1
99-35	Target torque (%)	0.1%
99-39	V/F separation target voltage	1V
99-40	V/F separation output voltage	1V
99-41	Visual display of MI input status	1
99-42	Visual display of MO input status	1
99-43	MI function status visual display 1(function 01- function 40)	1
99-44	MI function status visual display 2(function 41- function 50)	1
99-59	Setting frequency (%)	0.01%
99-60	Running frequency (%)	0.01%
99-61	Inverter status	1

Note: 1.The parameters not listed in the parameter table are reserved parameters, do not modify the default.
2.The correspondence address of 99-00 is 4300H.

10. Failures & Failure Elimination

Display	Description	Possible reason	corrective-measures
sc	Short circuit fault	<ol style="list-style-type: none"> 1. Accelerate too fast. 2. Internal damage of IGBT. 3. Malfunction caused by interference. 4. Whether the grounding is good. 	<ol style="list-style-type: none"> 1. Increase acceleration time. 2. Seek support. 3. Check whether the peripheral equipment has a strong interference source.
oc 1	Overcurrent during acceleration	<ol style="list-style-type: none"> 1. Accelerate too fast. 2. The input power voltage is low. 3. The power of the inverter is too small. 4. No parameter learning is performed during vector control. 5. Manual torque boost or V/f curve is not suitable. 6. The motor is rotating when starting. 7. There is a short circuit in the inverter output circuit. 	<ol style="list-style-type: none"> 1. Increase the acceleration time. 2. Check the input power. 3. Select a inverter with a higher power. 4. Perform parameter self-learning. 5. Adjust manual lifting torque or V/f curve. 6. Choose speed tracking or start after the motor stops. 7. Eliminate peripheral faults.
oc 2	Overcurrent during deceleration	<ol style="list-style-type: none"> 1. Decelerate too fast. 2. Large load inertia torque. 3. The power of the inverter is too small. 4. No parameter learning is performed during vector control. 5. There is a short circuit in the inverter output circuit. 	<ol style="list-style-type: none"> 1. Increase the deceleration time. 2. Add appropriate energy consumption brake components. 3. Select a frequency converter with a higher power. 4. Perform parameter self-learning. 5. Eliminate peripheral faults.
oc 3	Overcurrent at constant speed	<ol style="list-style-type: none"> 1. Abrupt or abnormal load. 2. The input power voltage is low. 3. The power of the inverter is too small. 4. No parameter learning is performed during vector control. 5. There is a short circuit in the inverter output circuit. 	<ol style="list-style-type: none"> 1. Check the load or reduce the sudden change of load. 2. Check the input power. 3. Select a frequency converter with a higher power. 4. Perform parameter self-learning. 5. Eliminate peripheral faults.
ov 1	Overvoltage during acceleration	<ol style="list-style-type: none"> 1. The input voltage is abnormal. 2. After a momentary power failure, restart the rotating motor. 	<ol style="list-style-type: none"> 1. Check the input power. 2. Avoid restarting after stopping.
ov 2	Overvoltage during deceleration	<ol style="list-style-type: none"> 1. Decelerate too fast. 2. Large load inertia. 3. The input voltage is abnormal. 	<ol style="list-style-type: none"> 1. Increase the deceleration time. 2. Increase energy consumption brake components. 3. Check the input power.

Display	Description	Possible reason	corrective-measures
ov3	Overvoltage at constant speed	<ol style="list-style-type: none"> 1.Abnormal changes in input voltage. 2.The load inertia is large. 	<ol style="list-style-type: none"> 1.Install input reactor. 2.Plus suitable energy consumption brake components.
uv	BUS undervoltage	<ol style="list-style-type: none"> 1.The input power supply voltage is low. 2.Instant power outage. 3.The circuit board is abnormal. 	<ol style="list-style-type: none"> 1.Check the input power 2.Reset fault 3.Seek service
ol2	Inverter overload	<ol style="list-style-type: none"> 1.Accelerate too fast. 2.Restart the rotating motor. 3.The input power voltage is too low. 4.The load is too large. 	<ol style="list-style-type: none"> 1.Increase the acceleration time. 2.Avoid restarting after shutdown. 3.Check the input power voltage. 4.Select the inverter with higher power.
ol1	Motor overload	<ol style="list-style-type: none"> 1.The input power voltage is too low. 2.The motor rated current is set incorrectly. 3.The motor is blocked or the load mutation is too large. 4.Motor overloaded. 	<ol style="list-style-type: none"> 1.Check the input power voltage. 2.Reset the rated current of the motor. 3.Check the load and adjust the torque boost. 4.Choose the right motor.
ol3	Motor overload 2	<ol style="list-style-type: none"> 1.The motor is blocked or the load is too large. 2.Improper setting of protection parameters. 	<ol style="list-style-type: none"> 1.Check the load. 2.Set appropriate protection parameters.
spo	Output phase loss	U/T1,V/T2,W/T3 phase loss on output side (or the load three-phase is severely asymmetric)	<ol style="list-style-type: none"> 1.Check the output wiring. 2.Check the motor and cable
oh2	Module overheat	<ol style="list-style-type: none"> 1.Inverter overcurrent instantly. 2.The output three phases have interphase or ground short circuit. 3.The air duct is blocked or the fan is damaged. 4.The ambient temperature is too high. 5.Loose connection of control board or plug-in. 6.The auxiliary power supply is damaged, and the driving voltage is undervoltage. 7.Power module bridge arm is straight through. 8.The control board is abnormal. 	<ol style="list-style-type: none"> 1.See overcurrent countermeasures. 2.Rewiring. 3.Ventilate channels or replace fans. 4.Reduce the ambient temperature. 5.Check and reconnect. 6.Seek service. 7.Seek service. 8.Seek service.
ef	External fault	MI external fault input terminal action	Check external device input

Display	Description	Possible reason	corrective-measures
CE	Communication error	<ol style="list-style-type: none"> 1.The baud rate is not set properly. 2.Communication error using serial communication. 3.Communication is interrupted for a long time. 	<ol style="list-style-type: none"> 1.Set the appropriate baud rate. 2.Press STOP/RESET button to reset and seek service. 3.Check the wiring of the communication interface.
IE	Current detection circuit fault	<ol style="list-style-type: none"> 1.Poor contact of the control board connector. 2.The auxiliary power supply is damaged. 3.The Hall device is damaged. 4.The amplifier circuit is abnormal. 	<ol style="list-style-type: none"> 1.Check the connector and reinsert the cable. 2.Search for factory maintenance. 3.Search for factory maintenance. 4.Search for factory maintenance.
SG	Motor to ground short circuit fault	Short circuit of motor to ground	Check the motor or change the cable or motor
EEP	EEPROM reading-writing error	<ol style="list-style-type: none"> 1.An error occurs in the reading and writing of control parameters. 2.The EEPROM is damaged. 	<ol style="list-style-type: none"> 1.Press STOP/RESE key and search for factory maintenance. 2.Search for factory maintenance
Eond	Accumulated running time reaches fault	Cumulative running time to set value	Use the parameter initialization function to clear the record information
E ind	Accumulated power-on time reaches error	The cumulative power-on time reaches the set value.	Use the parameter initialization function to clear the record information
oLL	Load failure	The running current of the inverter is less than 11-64.	Check whether the load or 11-64, 11-65 parameters are in accordance with the actual working conditions
P idE	PID feedback disconnection fault	<ol style="list-style-type: none"> 1.PID feedback disconnected. 2.The PID feedback source disappears. 	<ol style="list-style-type: none"> 1.Check the PID feedback signal line. 2.Check the PID feedback source.
CLb	Current limiting fault	<ol style="list-style-type: none"> 1.Whether the load is too large or the motor stalls 2.Inverter power is too small. 	<ol style="list-style-type: none"> 1.Reduce the load and check the motor and mechanical conditions 2.Select the inverter with higher power.
End			Contact the service provider
EB	Charging resistor fault	Whether the input power is abnormal	Check the input power
E42	Power-on initialization abnormal	<ol style="list-style-type: none"> 1.Whether the input power supply is abnormal. 2.The power supply or device is damaged. 	<ol style="list-style-type: none"> 1.Check the power supply. 2.Seek service.

11. Braking Resistor Selection List

Voltage	Applicable motor		Full load output torque(Nm)	Applied resistor specification	Braking unit	Quantity	Braking torque 10%ED %	Min resistance
	HP	kW			Quantity			
220V Series	0.5	0.4	2.22	80W 400Ω	×	1	125	150Ω
	1	0.75	4.15	80W 200Ω	×	1	125	80Ω
	2	1.5	8.31	300W 100Ω	×	1	125	55Ω
	3	2.2	12.19	300W 70Ω	×	1	125	35Ω
	5	4.0	20.49	400W 40Ω	×	1	125	30Ω
440V Series	1	0.75	4.15	80W 750Ω	×	1	125	260Ω
	2	1.5	8.31	300W 400Ω	×	1	125	190Ω
	3	2.2	12.19	300W 250Ω	×	1	125	145Ω
	5	4.0	22.16	400W 150Ω	×	1	125	95Ω
	7.5	5.5	30.46	500W 100Ω	×	1	125	60Ω

Notes:

- 1.Watts of voltage value and frequency applied(ED %) shall be in accordance with specifications of this company.
- 2.When installing braking resistor, great care shall be attached on safety or inflammability of the ambient environments
- 3.In case of Min resistance shall be used, contact us for suggestion of watts calculating.
- 4.×:refers to that fixing braking unit unnecessary.

- Innovate for more | Win forever
- Industry intelligence | Energy saving | Green power

Qualification

Designed by Taiwan savch electric

Received ISO9001 and CE certificate

All rights reserved. Subject to change without further notice.

520060036001 V1.1 2024-12-06