

1 产品规格 SPECIFICATION

型号 Type No.	4 位数 digit(CU-41K,CU-42K,CU-43KC)	6 位数 digit(CU-61K,CU-62K,CU-63KC)
字型尺寸 Character Height	LED 0.49"	
入力速度 Input Signal Mode	有接点输入 Contact input:25Hz	无接点输入 Non-Contact input:1KHz
入力准位 Input Level	NPN, Open collector	
入力型式 Input Mode	加算, 加减算, 90°相位差 Addition, Addition/Subtraction, Quadrature	
停电记忆 Power failure Memory	EEPROM 记忆资料保持十年不变 EEPROM back up time is as long 10 years	
记忆范围 Memory Range	-999~9999 -99999~999999	
设定范围 Setting Range	1~9999 1~999999	
输出方式 Output system	Relay output (250V,5A max)	
输出时间 Output time	0.1~9.9 seconds (Variable)	
消耗功率 Power Consumption	6VA	
电源电压 Power voltage	AC 110V/220V±15% 50Hz/60Hz	
耐温湿度 Operating Temperature Humidity	-10°C~+50°C 45%~85% RH	
尺寸规格 External Dimensions	96mm×48mm×110mm(开孔尺寸 Mounting flush dimension: 92mm×45mm)	

2 使用前调整 ADJUST BEFORE USING

2.1 入力速度限制 (Hi-Lo-speed)

若输入信号利用磁簧开关、继电器等接点, 为了防止弹跳误动作必须将 SW1-1 置于 ON(上方), 若为无接点信号 SW1-1 置于 OFF(下方)。

If we utilize the device with contact, such as magnistor and relay, to prevent error operation, switch 1-1 must be at the supper position (ON). On the other hand, if we use the no contact input signal, then the switch 1-1 should be at the lower position (OFF).

2.2 加算, 加减算设定 (The setting of addition, addition/subtraction)

(1) SW1-2 位于下方(OFF)时, 计数器为单相输入, 接脚 9 为加算输入, 接脚 11 为减算输入。

When switch 1-2 is at the lower position, the counter is single phase addition where terminal 9 is addition input and terminal 11 is subtraction input.

(2) SW1-2 位于上方(ON)时, 计数器为双相 90°相位差输入加减算, 接脚 9 为 A 信号, 接脚 11 为 B 信号。

When switch 1-2 is at the upper (ON) position, the counter is two phase quadrature addition/subtraction where terminal 9 is A signal and terminal 11 is B signal.

2.3 输出动作 (Output operation):

SW1-3, SW1-4: N.R.C. 动作 (Operation of N.R.C)

SW1-5: 按键保护(当 SW1-5 ON 时, SCL 与 PONT 功能失效)

Keyboard protected (When SW1-5 is on the upper position, the function of SCL & PONT will lose the efficiency.)

SW1-3	SW1-4	动作 Action
OFF	OFF	N
ON	OFF	R
OFF	ON	C

2.4 按键设定 (Keyboard setting):

Mode: 选择设定类型 Select the kinds of setting

(1)PS-1: 第一段设定 The first setting

(2)PS-2: 第二段设定 The second setting

(3)PS-3: 第三段设定 The third setting

(4)SCL: 倍率设定 Percentage setup

(5)PONT: 小数点位置设定 Decimal point setup

Shift: 显示设定类别之设定设定值或结束设定 It displays the kind of setting or end setting

◀: 设定时位数左移键

(When we press it down, the decimal point shift left.)

▼: 位数值减 1, 按住不放连续递减。

(When we press it down, the counter displays subtract one. And if we keep up pressing, the value will decrease continuously.)

▲: 位数值加 1, 按住不放连续递增。

(When we press it down, the counter displays add one. And if we keep up pressing, the value will decrease continuously.)

◎三段单独设定型 **3 step single setup mode**(CU-63KA)

设定类型 Setup Kind	三段设定方法 Operation of 3 step type
第一段设定值 The First Step Preset Value	mode → shift → ◀ → ▼ → ▲ ○○○○○○ → shift PS -1 → 654321 (设定内值 Preset Value)
第二段设定值 The Second Step Preset Value	mode → mode → shift → ◀ → ▼ → ▲ ○○○○○○ → shift PS -1 → PS -2 → 654321 (设定内值 Preset Value)
第三段设定值 The Third Step Preset Value	mode → mode → mode → shift → ◀ → ▼ → ▲ ○○○○○○ → shift PS -1 → PS -2 → PS -3 → 654321 (设定内值 Preset Value)
倍率设定 Percentage Setup	mode → mode → mode → mode → shift ◀ ○○○○ → shift PS -1 → PS -2 → PS -3 → SCL → 01.000 (设定内值 Preset Value)
小数点设定 Decimal Point Setup	mode → mode → mode → mode → shift → ◀ ○○○○ → shift PS -1 → PS -2 → SCL → PONT → 0 → 0.0 → ○○○○

◎一段单独设定: **1 step single setup mode**(CU-41K)

设定类型 Setup Kind	二段设定方法 Operation of 2 step & Hi-Lo-Go setup type
设定值 Setup Value	mode → shift → ◀ → ▼ → ▲ ○○○○○○ → shift PS -1 → 654321 (设定内值 Preset Value)
倍率设定 Percentage Setup	mode → mode → shift → ◀ → ▼ → ▲ ○○○○○○ → shift PS -1 → SCL → 01.000 (设定内值 Preset Value)
小数点设定 Decimal Point Setup	mode → mode → mode → shift → ◀ ○○○○○○ → shift PS -1 → SCL → PONT → 0 → 0.0 (设定内值 Preset Value)

※注: 当 SW1-5 为 ON 时, 倍率及小数点均无法设定。

Note: When SW1-5 is at the "ON" position, the function of percentage and decimal point can not be set.

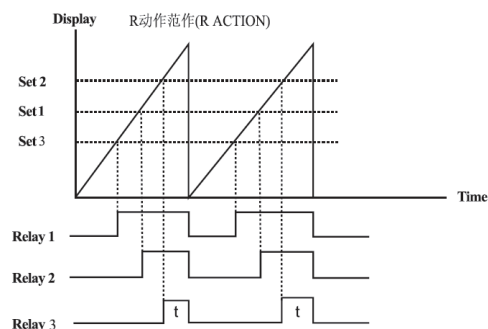
3 特性说明 CHARACTERISTIC EXPLANATION

3.1 三段单独设定输出: (CU-63KA)

如右时序图有 N.R.C. 动作, 计数值≥第一段设定值时 Relay 1 ON, 计数值≥第二段设定值时 Relay 2 ON, 计数值≥第三段设定值时 Relay 3 ON, N.R.C. 动作后一起释放。

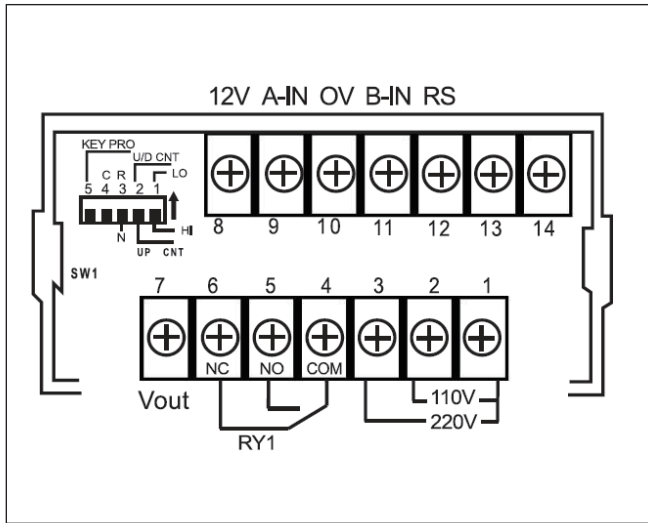
3 step independent output: CU-63KA)

When the counter display is equal to or larger than the first preset value, relay 1 contact turns on. When the counter display is equal to or larger than the second preset value, relay 2 contact turns on. When the counter display is equal to or larger than the third preset value, relay 3 contact turns on and then the operation of N.R.C work together.

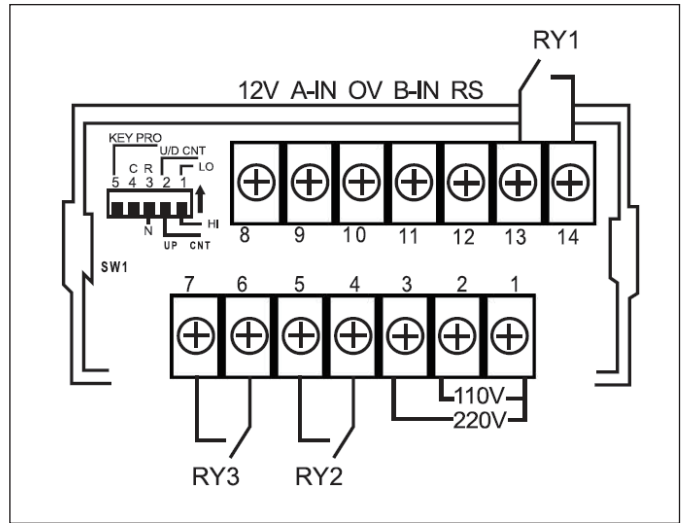


3.2 端子接脚图 Terminal Connections

(CU-41K)

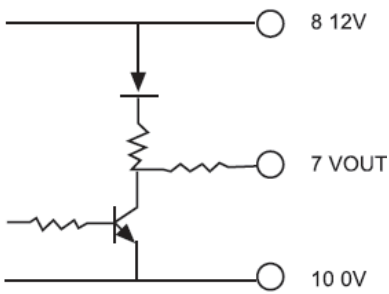


(CU-63KA)

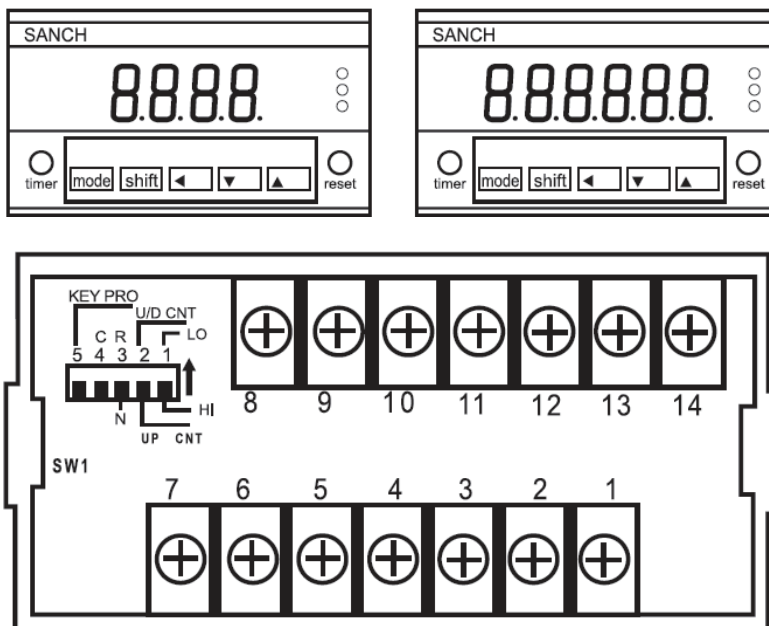


Vout:NPN 电压出力,可直接驱动 SSR.....

Vout:NPN voltage output can drive "SSR...etc" directly



4 外观图 APPERANCE



5 尺寸图 DIMENSION DIAGRAM

Unit: mm

