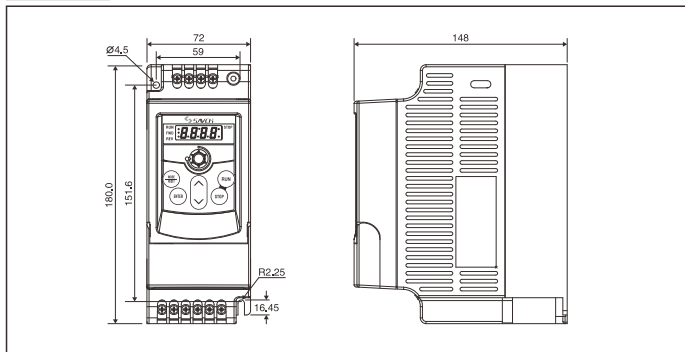


# External Dimensions of Inverter

External dimensions of inverter and mounting hole size

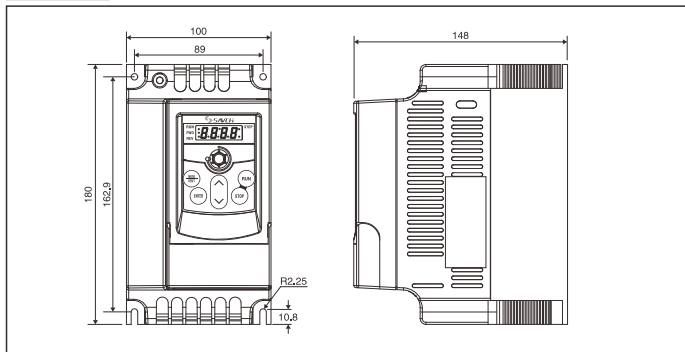
Size1

Unit: mm



Size2

Unit: mm



Installation dimension	W	H	D	W1	H1	Fig.
S900-2S0.2G~0.75G/4T0.4G~1.5G	72	180	148	59	151.6	Size 1
S900-2S1.5G~2.2G/4T2.2G~3.7G	100	180	148	89	162.9	Size 2