



# S800 Series Inverter General mini type (IM)

WWW.SAVCH.NET



## COMPANY PROFILE



Savch Electric Co., Ltd was set up in Quanzhou, Fujian province in 2001 and established a research and development center in Shanghai. It is one of the first few companies to develop and produce motor drives in China. In 2005, it became China's top ten inverter brands. The company relies on a strong R & D team and world-class power electronics production and quality control system (OEM for top international brand) to provide customers with high-performance servo drives, inverters, computer controllers and other industrial control products.

The company focuses on the frontier technology fields of "industrial intelligence, energy saving, green energy", and adheres to the core goal of "creating value for customers", and establishes a technical R&D team that highly conforms to customer industry characteristics and highly integrated mechatronics and provide more efficient and resource-efficient system solutions for various industries customers. For the pass years, the company has established a global equal and close cooperation agent system, and customer service system with user satisfaction as an indicator, widely used in ceramics, packaging, textile, dyeing and finishing, engineering upgrading, lifting, road, CNC machine tools, glass, mining, petroleum, shipbuilding and other special industries.

S800 series inverters are the upgraded products of the last series with more specific functions. The friendly interface and the considerate operation methods offer the great convenience to the users.

## Instruction



### Professional control program

- ▶ Customized core calculation program, smooth shift on forward and reverse running, Auto torque and slip compensation.

### Lower heat generation

- ▶ Advance 3phase to 2phase shift technology, reduce 33.3% of heat generation.

### Faster calculation speed

- ▶ Adopt nanometer production techniques, built-in dual core CPU improves the calculation speed greatly.

### Flexible combination

- ▶ Optional Keypad, customized I/O interface, introduces great convenience to the users.

### Reliability

- ▶ Protection: Over voltage (OU), low voltage (LU), over current (OCA / OCD / OCN), over heat (OH), over load (OL) etc.
- ▶ Over voltage / over current tall prevention.
- ▶ Exposed cooling fin with better heat dissipation effects.
- ▶ 3 sections of prohibited frequency could avoid resonance effectively.

### Great Performance

- ▶ Auto torque compensation-available to reach 150% when the start torque is 3HZ.
- ▶ Auto slip compensation-more accurate speed.
- ▶ Low noise-motor runs more stably.
- ▶ Great over load performance-available to run 65s on 150%of rated torque.

### Functions Description

- ▶ Main / auxiliary frequency superimposed control.
- ▶ Pulse input frequency control (Selective).
- ▶ Many stop methods (STOP key, AVI zeroing stop).
- ▶ Display: Voltage, current, set frequency and the actual frequency, rotation (User defines).
- ▶ Wobble frequency
- ▶ Available to achieve 16 sections of program running with built-in PLC.
- ▶ Other functions: power lost memory, reverse running prohibition, AVR, DC braking, acceleration and deceleration auto adjustment, password protection on parameter.
- ▶ Extended keypad could achieve parameter copy.

### Input Output

- ▶ Input : 2 line / 3 line control , external EF , UP / DOWN , program running auto control , counting , pulse input , control running direction with FWD / REV triggering.
- ▶ Output: FWD / REV running indication, counting arrival indication, program running indication, frequency arrival indication, over torque indication, low voltage indication.

## Model description

**S**

SAVCH

**800**

Products series

**2S**

2S: 220V  
Single phase

**1.5**

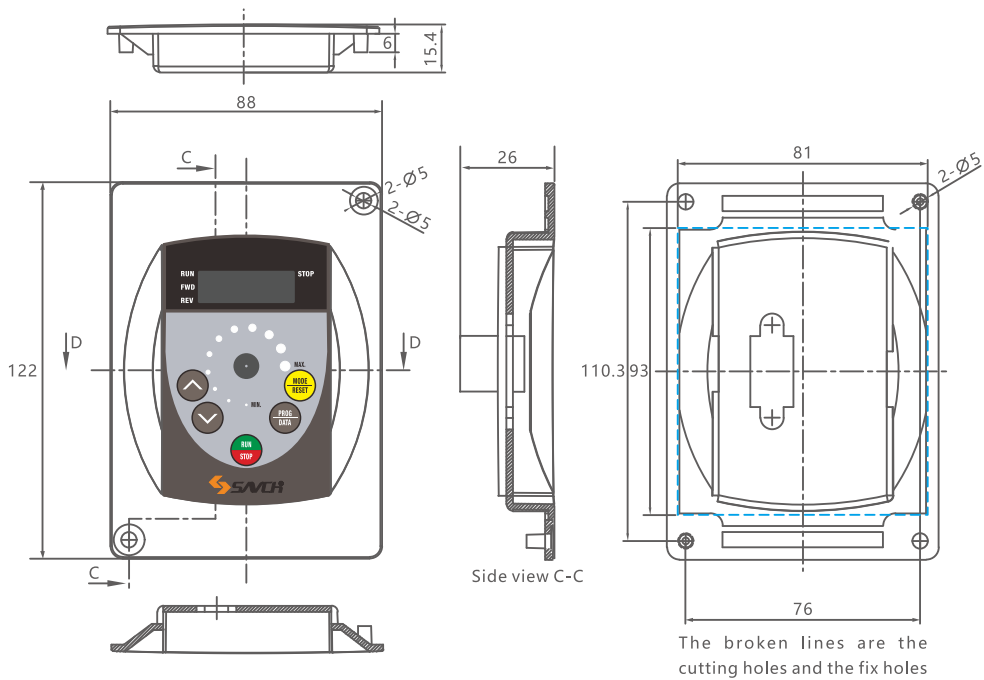
0.2 : 0.2kW  
0.4 : 0.4kW  
0.75 : 0.75kW  
With actual frequency

**G**

G: General use

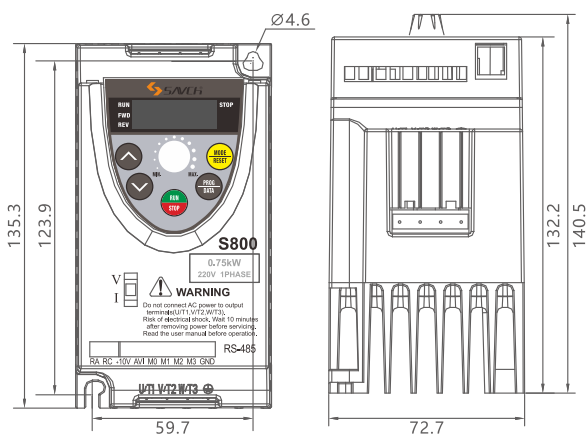
## Operation keypad

Dimension (Unit: mm)



## External Dimensions

External Dimensions of inverter (Unit: mm)



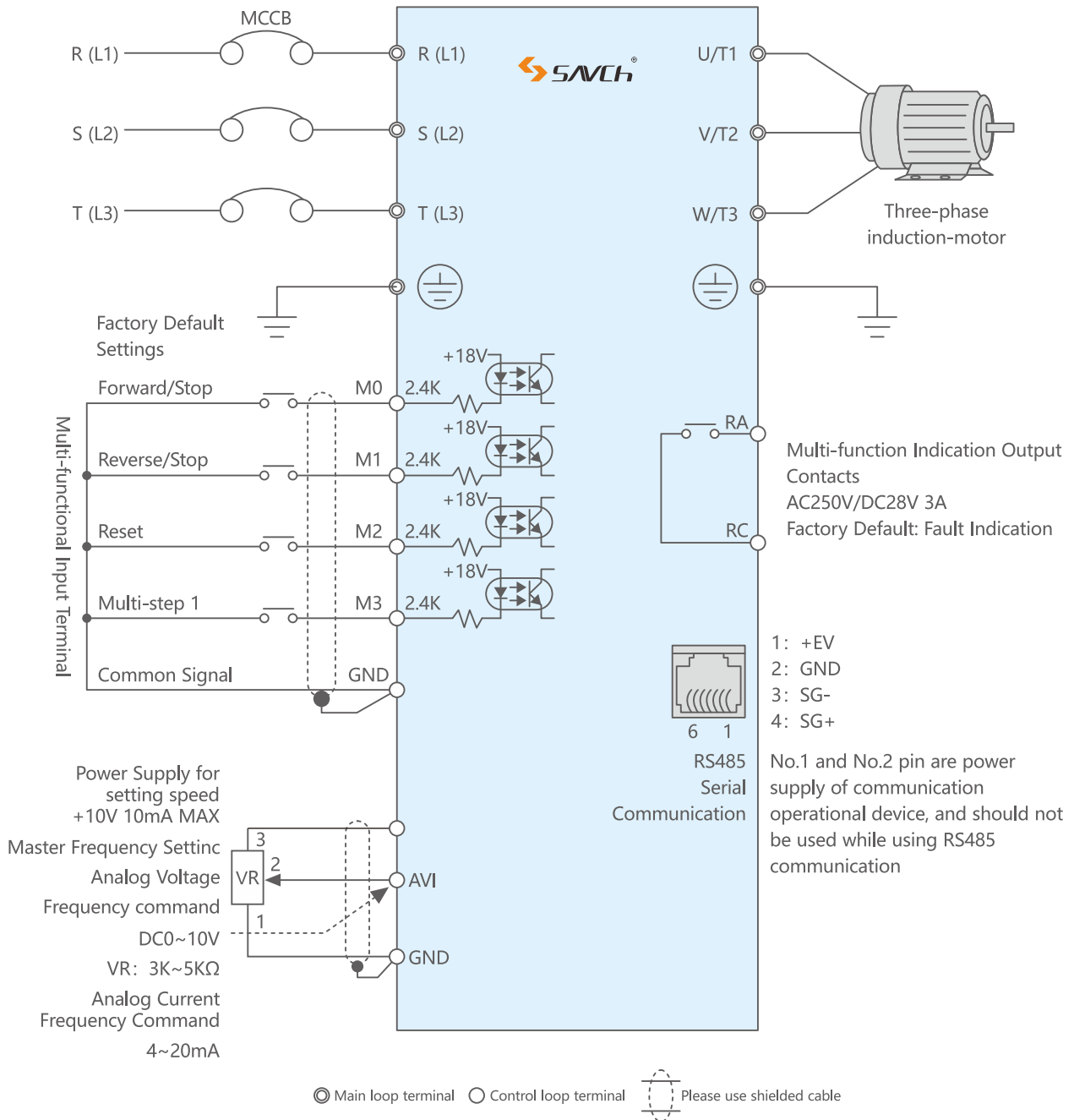
Inverter Size (Unit: mm)

Type	S800-2S0.2G-0.75G
W	72.7
H	135.3
D	140.5
W1	59.7
H1	123.9

# Product Specification

Item		Specifications		
Level of input voltage		220V		
Type S800-2S		0.2G	0.4G	0.75G
Applicable motor power(kW)		0.2	0.4	0.75
Output	Rated output capacity(kVA)	0.6	1.0	1.6
	Rated output current (A)	1.6	2.5	4.2
	Maximum output voltage(V)	Correspond to input voltage		
	Range of output frequency(Hz)	0.1 to 400Hz		
Power	Rated input current (A)	4.9	6.5	9.7
	Permissible variation range of input voltage	Single phase power. 200 to 240V. 50/60Hz		
	Variation range of power frequency	5%		
Controlling Characteristics	Control mode	V/f and static vector regulation (carrier frequency 2KHz-10KHz)		
	Output frequency resolution	0.1Hz		
	Torque characteristics	There is torque compensation, slip compensation and at 3Hz the activating torque can reach above 150%.		
	Tolerance of overload	150% of the rated output current , 60 sec		
	Acceleration/deceleration time	0.1-600 sec (can have independent settings respectively)		
	V/f curve	Setting 6 fixed curves + any V/f curves		
	Action position standard of avoiding losing speed	Setting with the percentage of rated current , 20-200%		
Operation Characteristics	Frequency setting signal	Panel operation	Setting by ▲▼ buttons or V.R	
		External signal	AVI / ACI setting , UP / DOWN setting ,communication setting , pulse input setting	
	Running operating signal	Panel operation	Setting by RUN , STOP buttons	
		External signal	M0,M1,M2 and M3 form run of various run modes;RS485 communication port	
	Multifunction input signal	Selection of section command 0-15. FWD/REV inching motion command, acceleration/deceleration prohibition command, switching command of first and second acceleration/deceleration. Selection of counter, program run, external b.b (NC, NO), Pulse input. two kinds of 3-line wiring modes, output prohibition		
	Multifunction output signal	During run , run frequency arrival , Setting frequency arrival , counter arrival , zero speed , abnormal displays in b.b, program run command , FWD / REV running direction command		
Other functions		Swing frequency function, 16-level speed PLC programmed run, AVR function, S-curve, avoid losing speed of over voltage, check of abnormal records, adjustment of carrier frequencies, setting of REV prohibiting, DC braking, Setting of re-start after transient power-off using starting frequency, Setting of frequency upper and lower limits, parameter locking/reset		
Protection Functions		Over voltage ,over current, low voltage, limit of over load, electronic thermoelectric station, overheating, self-testing, grounding protection ,abnormal contact		
Cooling mode		Natural cooling		
Environment	Installation height	Height below 1000m, indoor, (free of corrosive gas , liquid and dust filth)		
	Environment temperature	-10°C~40°C(no dewing and no freezing)		
	Storing temperature	-20°C~+60°C		
	Environment dampness	Below 90%RH without moister		
	Vibration	Under 20Hz 9.80665m/s <sup>2</sup> (1g), 20 to 50Hz 5.88 m/s <sup>2</sup> (0.6g)		






# Basic wiring diagram



※ The main circuit terminal of the single-phase model takes R / L1 , S / L2 as the input power port.

## Application

Satisfy the needs of low frequency drive needs, especially the use of middle and small machines. The flexible combination could meet the requirements of matched development and achieve the machinery automation. Many fields could introduce these series.

Industry	Examples
 <p data-bbox="255 672 510 700">Logistics equipment</p>	<p data-bbox="683 526 1362 605">Assembly line, conveying equipment, auto storage &amp; transport equipment.....</p>
 <p data-bbox="177 989 587 1017">Electronic manufacturing equipment</p>	<p data-bbox="683 847 1362 927">Winding machine, wave soldering machine, PCB equipment, foam mechanical equipment, small plastic machinery.....</p>
 <p data-bbox="229 1313 533 1341">Machine tools equipment</p>	<p data-bbox="683 1159 1362 1239">Engraving machine, centerless grinder, line cutting machine. EDM machine.....</p>
 <p data-bbox="272 1636 489 1664">Textile machinery</p>	<p data-bbox="683 1472 1362 1552">Small flat knitting machine, glove machine, winding machine, spreading machine, loom.....</p>
 <p data-bbox="339 1959 422 1987">Others</p>	<p data-bbox="683 1733 1362 1964">Stone cutting machine, washing machine, printing equipment, pharmaceutical machinery, food machinery, medical equipment, fitness appliance (treadmill, body shaping machine), screen print machine, fan &amp; water pump (water supply).....</p>

COOPERATIVE CLIENT



☑ **Quanzhou Factory** \_\_\_\_\_  
Address: 3# Zixin Road, Jiangnan Hi-Tech Industrial Park,  
Quanzhou, Fujian, China  
Tel: **+86 595 24678267** Fax: **+86 595 24678203**

☑ **Service Network** \_\_\_\_\_  
Website: **www.savch.net**

☑ **Qualification** \_\_\_\_\_  
Received **ISO9001** and **CE** recognition  
520680085114 V2.3 2026-04-22  
All rights reserved. Subject to change without further notice.

Sales service contact address



SAVCH Wechat  
Service Number